

YAMAHA

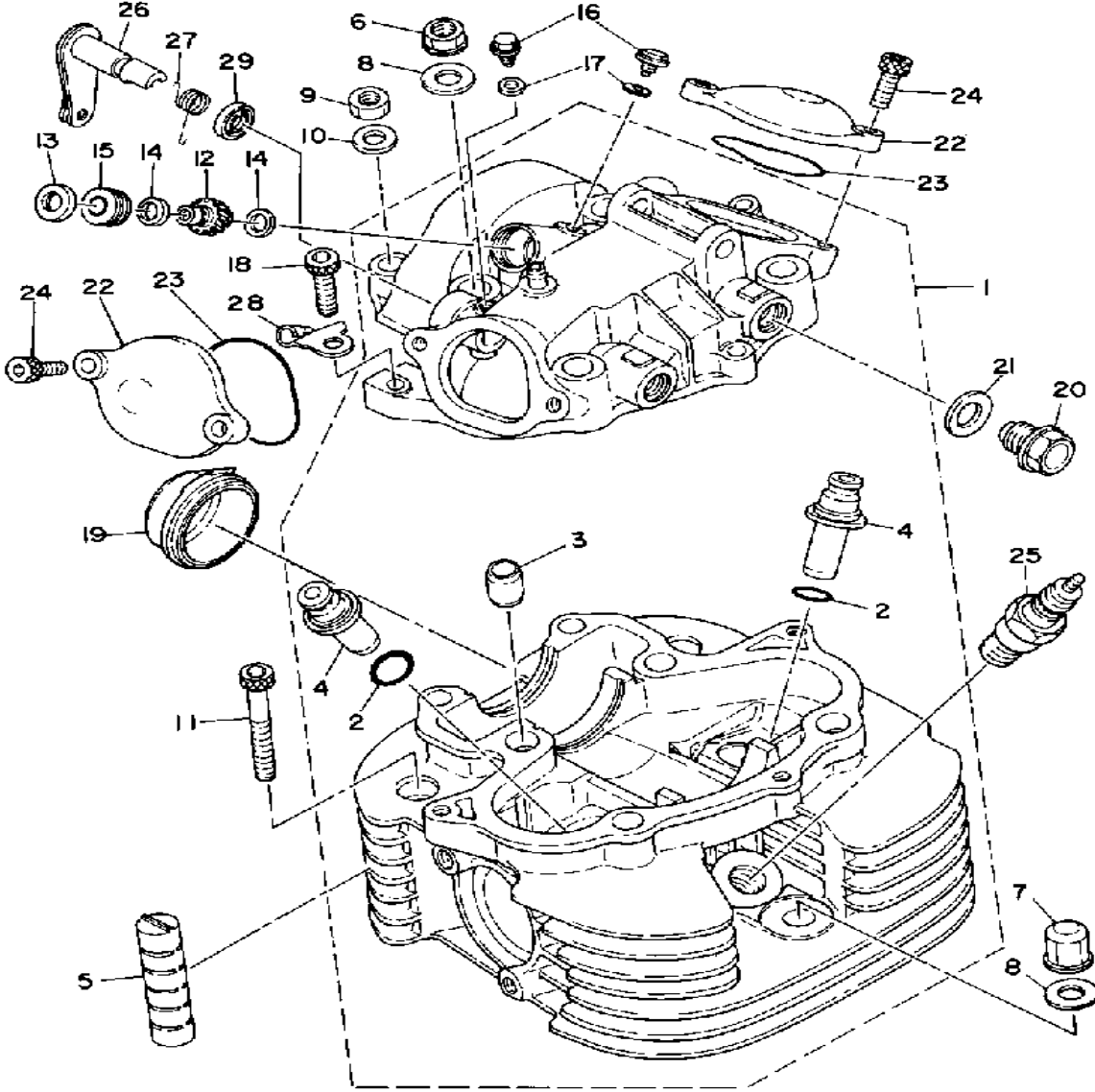
GENUINE

PARTS CATALOGUE

MOTORCYCLE

CYLINDER HEAD

ENGINE TYPE	4-Stroke, Air-Cooled, SOHC
Bore/Stroke/Number Cylinders/Displacement (cc)	87mm / 84mm / 1 / 499cc
Compression Ratio/Compression Pressure min ~ max	9.0:1 / 9.5 ~ 10.5 kg/cm ²



Spark Plug Type	NGK BP6ES Nippon Denso W2DEP
Spark Plug Gap / Torque / Cap Ω	0.7 ~ 0.8mm / 2.0 m·kg / 5.5K Ω

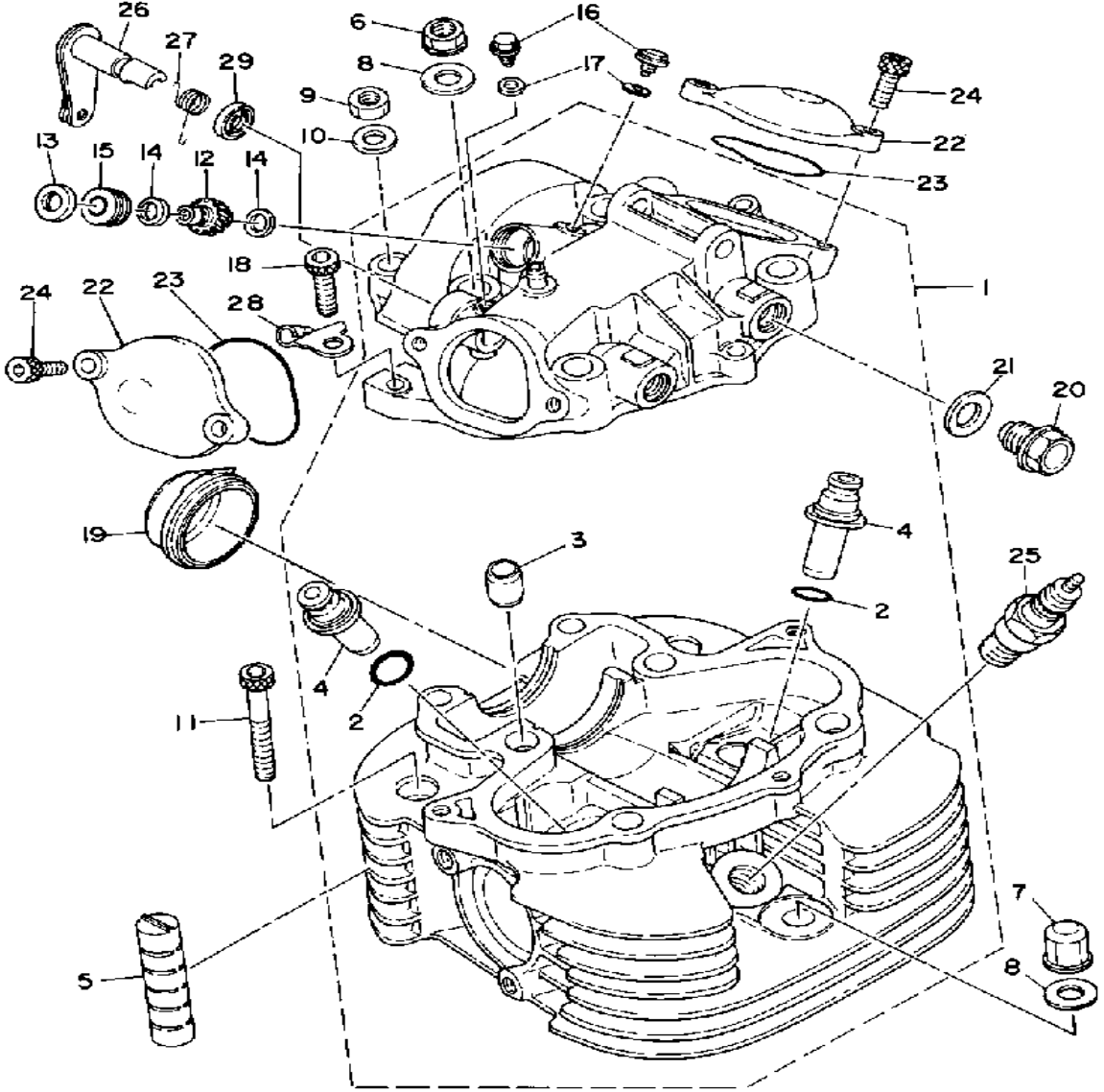
Cylinder Head Cover	6 x 1.0: 1.2 m·kg
Cylinder Head:	Stud: 10 x 1.25: 2.0 m·kg Nut: 10 x 1.25: 3.8 m·kg
	6 x 1.0: 1.2 m·kg

Ref. No.	Part Number	Description	Qty	Remarks
1	(2J2-11101-00-00)	CYLINDER HEAD ASSEMBLY	1	
2	93210-14299-00	O-RING	2	
3	99530-14016-00	PIN, DOWEL	2	
4	583-11133-11-00	GDE, INTK VLV 1 O/S	2	
5	583-11127-00-00	ABSORBER 3	2	
6	90179-10279-00	NUT	4	
7	90176-10049-00	NUT, CROWN	1	
8	90201-10124-00	WASHER, PLATE	5	
9	95333-08600-00	NUT	2	
10	90201-08649-00	WASHER, PLATE	2	
11	91316-06055-00	BOLT, SOCKET HEAD	2	
12	1E6-17841-00-00	GEAR, DRIVEN	1	
13	93101-08132-00	OIL SEAL, S-TYPE	1	
14	90201-084L7-00	WASHER, PLATE	2	
15	1E6-17843-00-00	BUSH, DRVN GR OUTER	1	
16	90109-06418-00	BOLT	2	
17	90430-06014-00	GASKET	2	
18	91316-06025-00	BOLT	3	
19	2J2-11197-00-00	PLUG, BLIND	1	
20	90340-14038-00	PLUG, STRAIGHT SCRW	2	
21	90430-14043-00	GASKET	2	
22	2J2-11186-00-00	COVER, CYLINDER.HEAD 2	2	
23	93210-49296-00	O-RING	2	
24	91316-06018-00	BOLT, SOCKET HEAD	4	
25	NGK-BP6ES-00-00	NGK BP6ES 4PK (94701-00000-04)	1	
26	583-12288-00-00	CAM, DCOMP	1	
27	90508-16303-00	SPRING, TORSION	1	
28	583-12283-00-00	BRACKET, DCOMP	1	

CONTINUED ON NEXT FRAME ➤

CYLINDER HEAD

ENGINE TYPE	4-Stroke, Air-Cooled, SOHC
Bore/Stroke/Number Cylinders/Displacement (cc)	87mm / 84mm / 1 / 499cc
Compression Ratio/Compression Pressure min ~ max	9.0:1 / 9.5 ~ 10.5 kg/cm ²



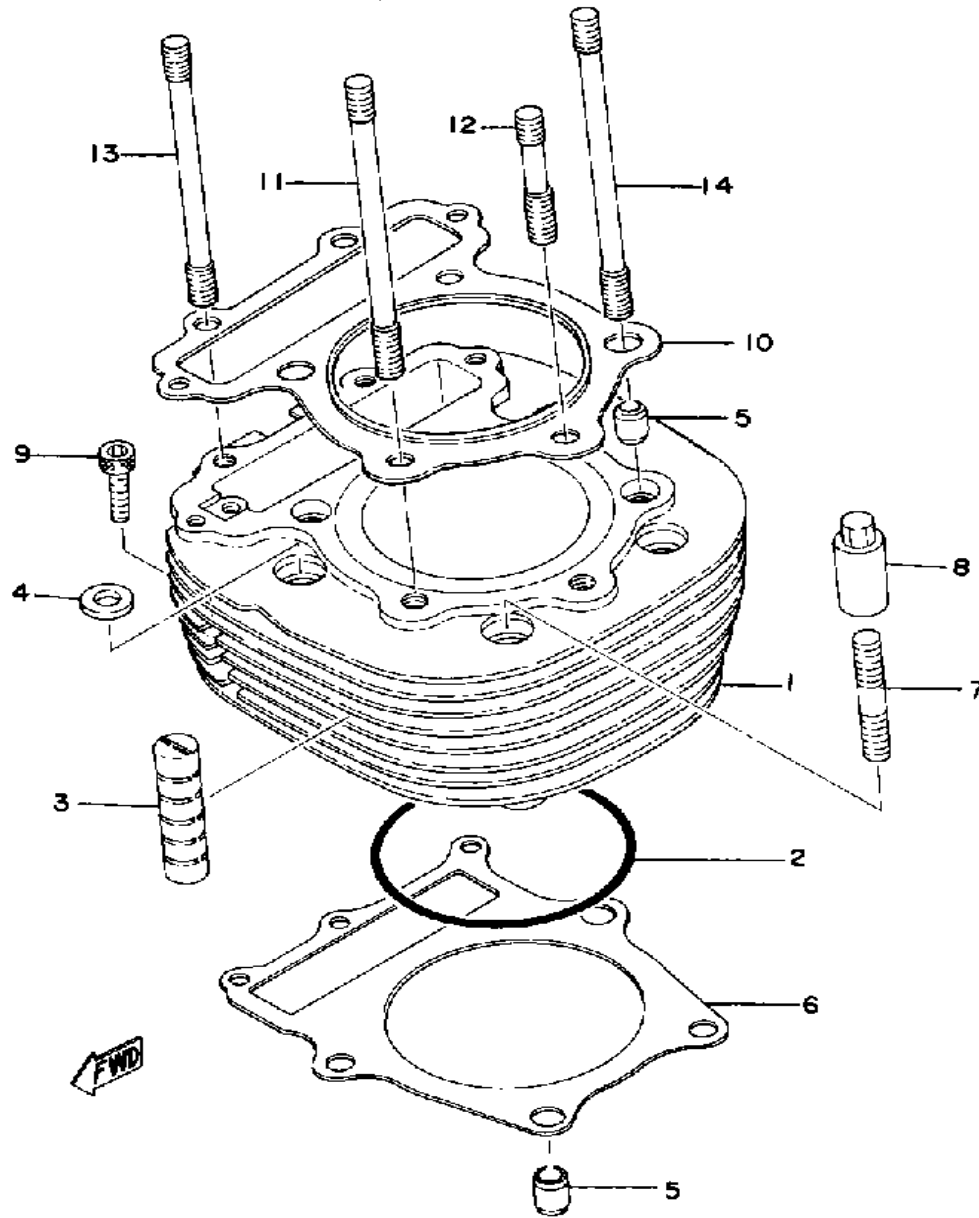
Ref. No.	Part Number	Description	Qty	Remarks
----------	-------------	-------------	-----	---------

29	93104-12054-00	OIL SEAL, SO-TYPE	1	
----	----------------	-------------------	---	--

Spark Plug Type	NGK BP6ES Nippon Denso W2DEP
Spark Plug Gap / Torque / Cap Ω	0.7 ~ 0.8mm / 2.0 m·kg / 5.5K Ω

Cylinder Head Cover	6 x 1.0: 1.2 m·kg
Cylinder Head:	Stud: 10 x 1.25: 2.0 m·kg Nut: 10 x 1.25: 3.8 m·kg
	6 x 1.0: 1.2 m·kg

Bore/Stroke/Number Cylinders/Displacement (cc)	87mm / 84mm / 1 / 499cc
Compression Ratio/Compression Pressure min ~ max	9.0:1 / 9.5 ~ 10.6 kg/cm ²

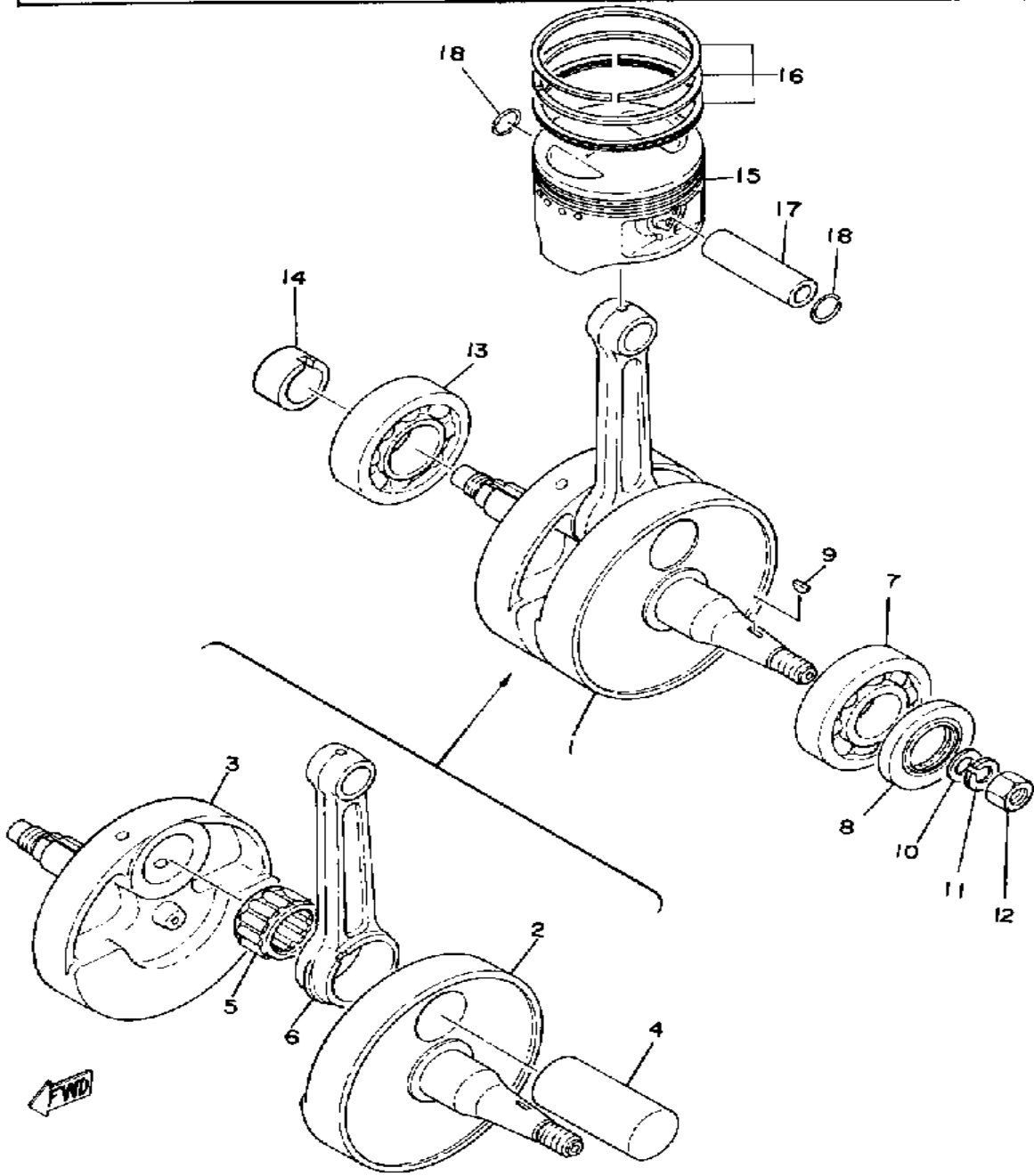


CYLINDER

Ref. No.	Part Number	Description	Qty	Remarks
1	2J2-11310-00-00	CYLINDER	1	
2	93210-92295-00	O-RING	1	
3	583-11127-00-00	ABSORBER 3	1	
4	90201-10590-00	WASHER, PLATE	4	
5	99530-14016-00	PIN, DOWEL	4	
6	583-11351-00-00	GASKET, CYLINDER	1	
7	90116-10087-00	BOLT, STUD	4	
8	90179-10201-00	NUT	4	
9	90110-06138-00	BOLT, HEX SKT HEAD	3	
10	2J2-11181-09-00	GASKET, CYLINDER HEAD 1 .	1	
11	90116-10222-00	BOLT, STUD	2	
12	90116-10223-00	BOLT, STUD	1	
13	90116-08190-00	BOLT, STUD	2	
14	90116-10225-00	BOLT, STUD	2	

CRANKSHAFT - PISTON

Piston Skirt Clearance new/max.	0.050 ~ 0.055mm / 0.1mm
Ring End Gap top/2nd/3rd	0.3 ~ 0.5mm / 0.3 ~ 0.5mm / 0.2 ~ 0.9mm

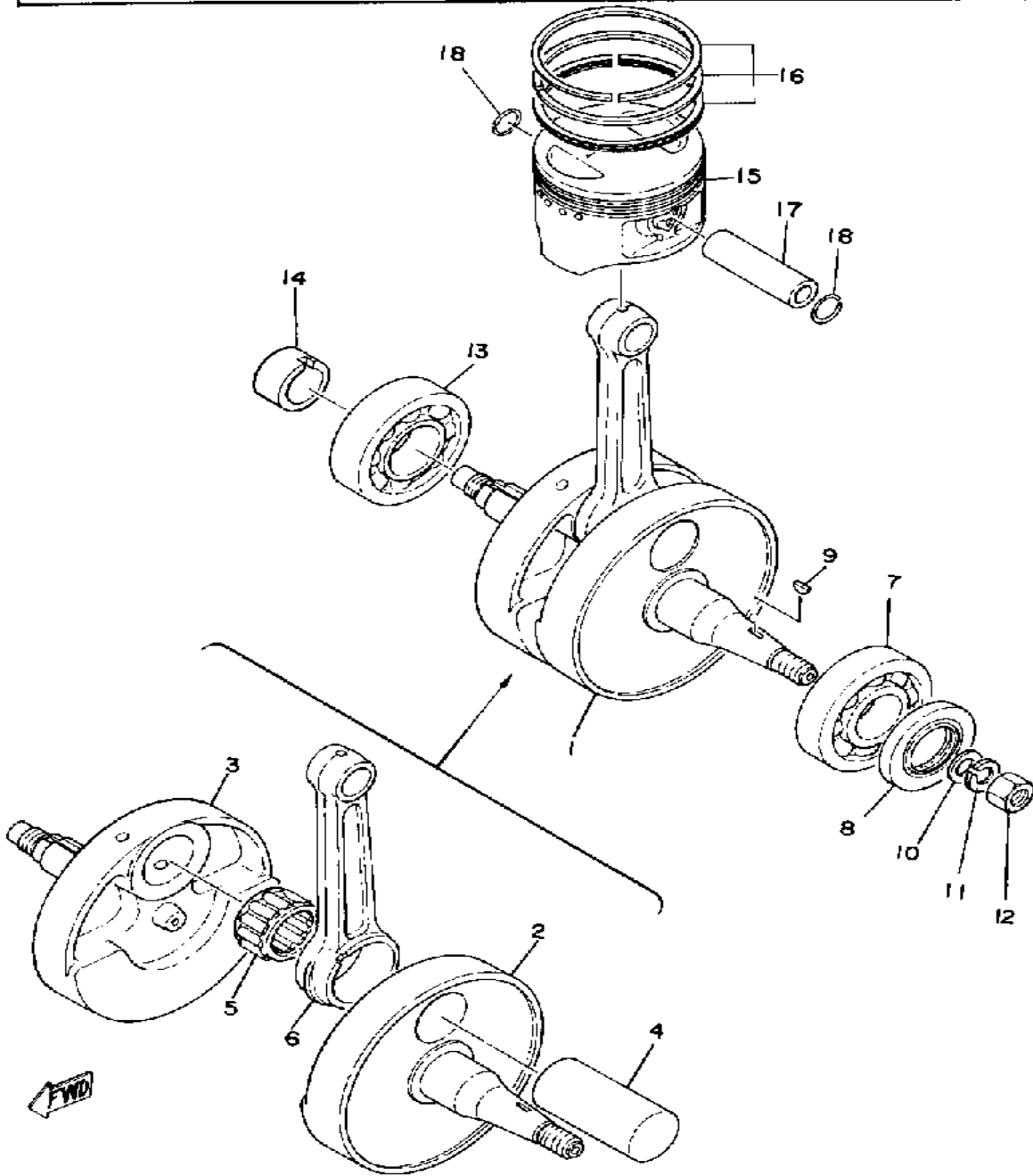


Ref. No.	Part Number	Description	Qty	Remarks
1	(583-11400-00-00)	CRANKSHAFT ASSEMBLY	1	
2	(583-11412-00-00)	CRANK 1	1	
3	(583-11422-00-00)	CRANK 2	1	
4	583-11681-00-00	. PIN, CRANK 1	1	
5	93310-635A5-00	. BEARING, CYLINDER.# 0	1	
6	583-11651-00-00	. ROD, CONNECTING	1	
7	93306-30630-00	BEARING	1	
8	93102-30145-00	OIL SEAL, SD-TYPE	1	
9	90280-16053-00	KEY, WOODRUFF	1	
10	90201-12593-00	WASHER, PLATE	1	
11	92901-12100-00	WASHER, SPRING	1	
12	90170-12347-00	NUT, HEXAGON	1	
13	93306-30702-00	BEARING (B6307)	1	
14	90387-20644-00	COLLAR	1	
15	(2J2-11637-00-00)	PISTON 3 O/S 0.5	1	ALTERNATE PARTS
	2J2-11631-00-96	PISTON STD	1	
	2J2-11635-00-00	PISTON 1 O/S 0.5	1	ALTERNATE PARTS
	2J2-11636-00-00	PISTON 2 O/S 0.0	1	ALTERNATE PARTS
	2J2-11638-00-00	PISTON 4 O/S 1.0	1	ALTERNATE PARTS
16	583-11610-02-00	PISTON RINGSET STD (583-11610-01)	1	
	583-11610-12-00	PISTON RINGSET 1ST (583-11610-11)	1	ALTERNATE PARTS
	583-11610-22-00	PISTON RINGSET 2ND (583-11610-21)	1	ALTERNATE PARTS
	583-11610-32-00	PISTON RINGSET 3RD (583-11610-31)	1	ALTERNATE PARTS
	583-11610-42-00	PISTON RINGSET 4TH (4TH O/S)	1	ALTERNATE PARTS
17	2J2-11633-01-00	PIN, PISTON	1	

CONTINUED ON NEXT FRAME ➤

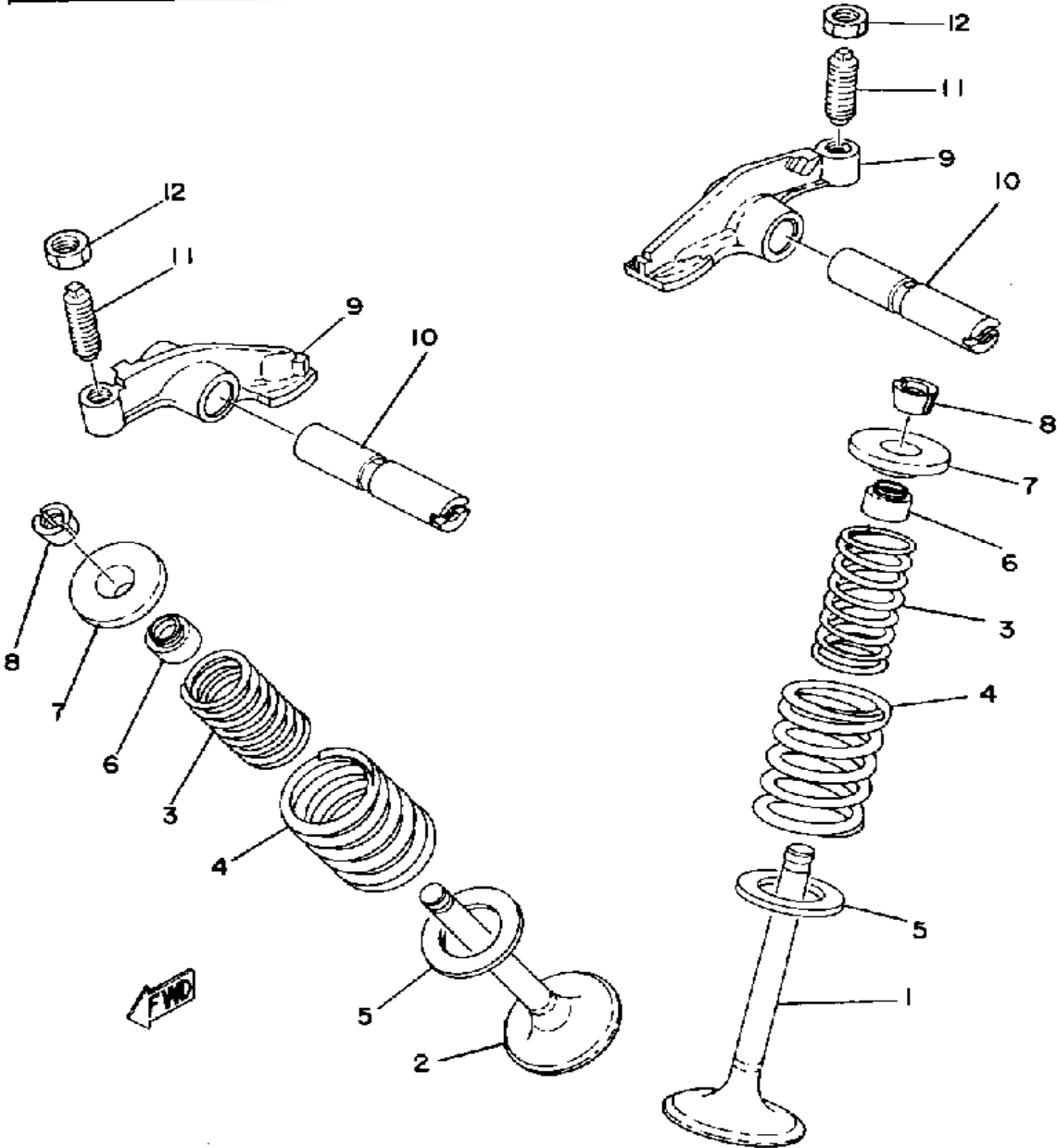
CRANKSHAFT - PISTON

Piston Skirt Clearance new/max.	0.050 ~ 0.056mm / 0.1mm
Ring End Gap top/2nd/3rd	0.3 ~ 0.5mm / 0.3 ~ 0.5mm / 0.2 ~ 0.9mm



Ref. No.	Part Number	Description	Qty	Remarks
18	93450-22027-00	CIRCLIP	2	

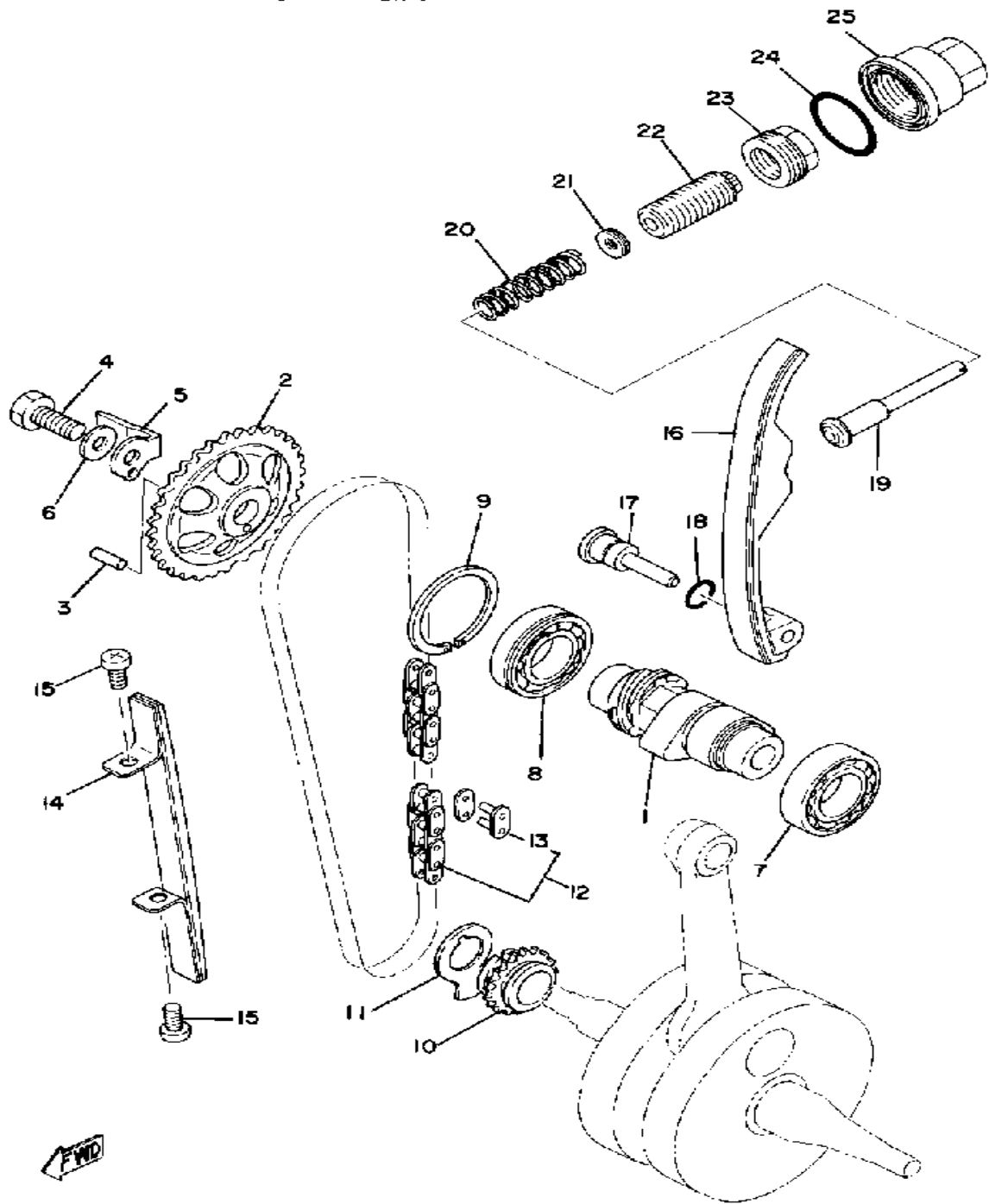
Valve Clearance (cold) Intake/Exhaust	0.10mm / 0.15mm
---------------------------------------	-----------------



VALVE

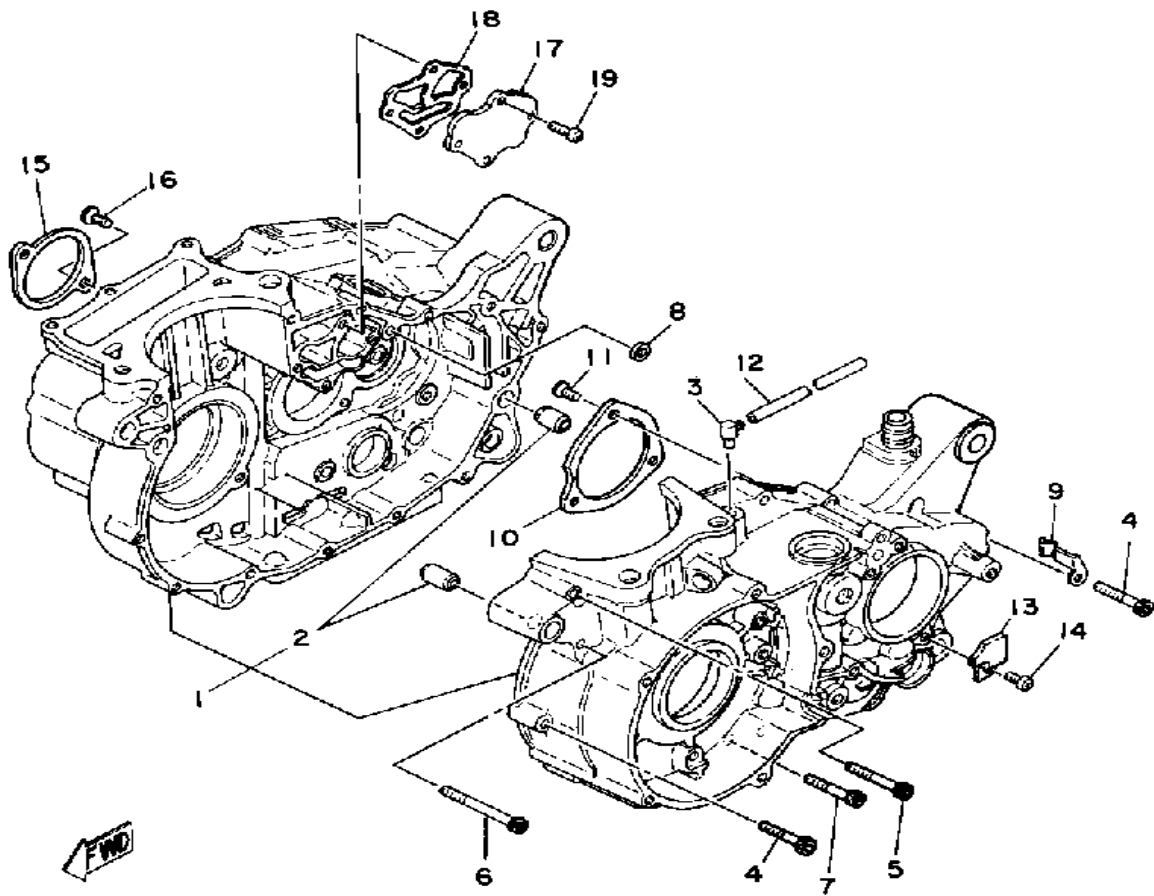
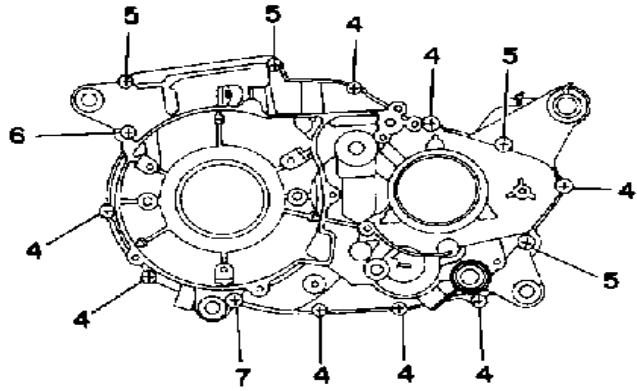
Ref. No.	Part Number	Description	Qty	Remarks
1	2J2-12111-01-00	VALVE, INTAKE 1	1	
2	583-12121-00-00	VALVE, EXHAUST	1	
3	90501-31454-00	SPRING, COMPRESSION	2	
4	90501-44455-00	SPRING, COMPRESSION	2	
5	256-12116-01-00	SEAT, VALVE SPRING	2	
6	341-12119-02-00	SEAL, VALVE STEM	2	
7	256-12117-02-00	RETAINER, VALVE SPR	2	
8	341-12118-00-00	COTTER, VALVE	4	
9	583-12151-00-00	ARM, VALVE ROCKER	2	
10	583-12156-01-00	SHAFT, ROCKER	2	
11	90149-08098-00	SCREW, SPEC'L SHAPE	2	
12	90170-08173-00	NUT, HEXAGON	2	

CAMSHAFT - CHAIN



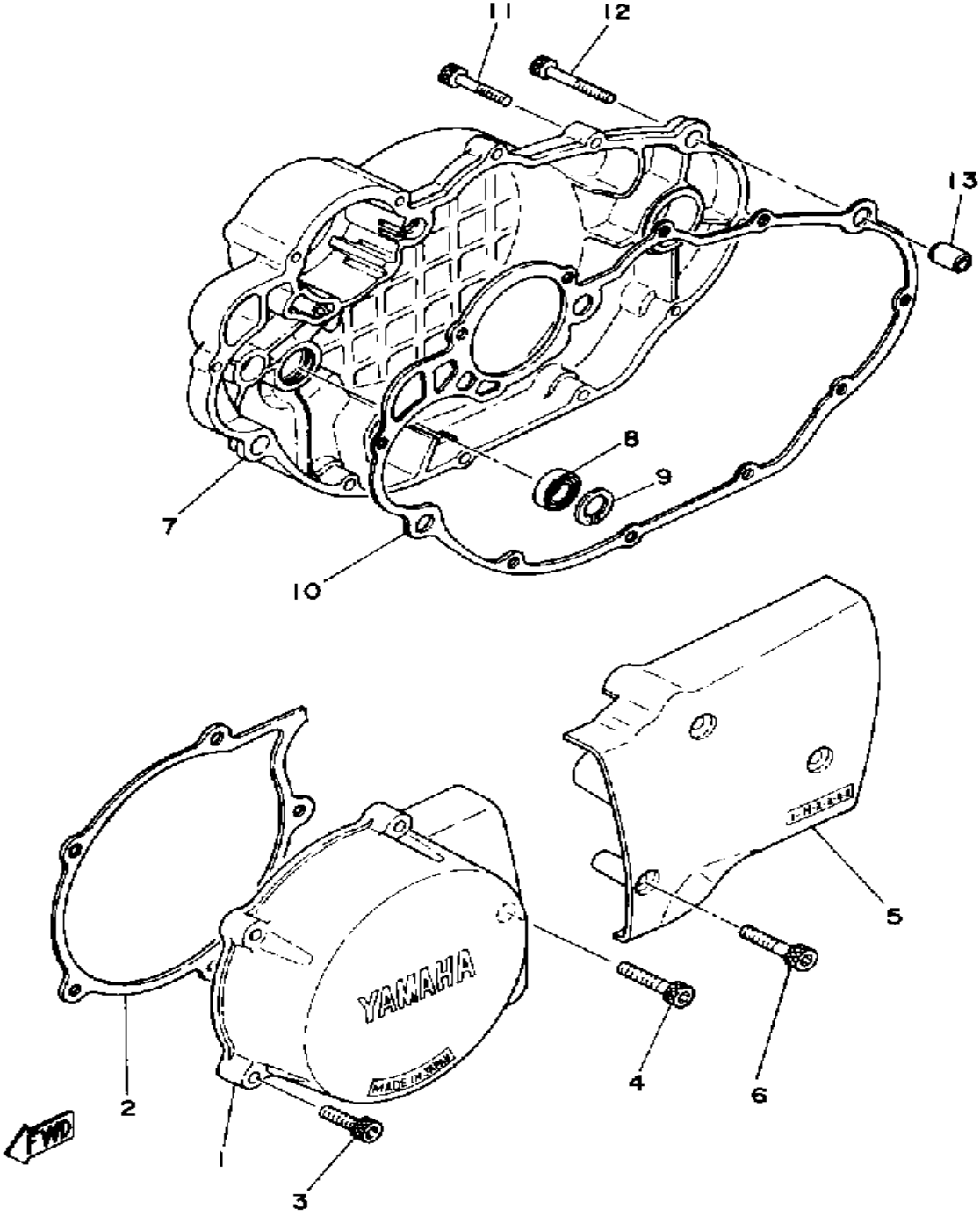
Ref. No.	Part Number	Description	Qty	Remarks
1	583-12171-01-00	CAMSHAFT 1	1	
2	583-12176-00-00	SPROCKET, CAM CHAIN	1	
3	93604-16092-00	PIN, DOWEL	1	
4	90101-10303-00	BOLT	1	
5	1T1-12279-00-00	PLATE	1	
6	90201-10774-00	WASHER, PLATE	1	
7	93306-00501-00	BEARING (B6005)	1	
8	93306-00519-00	BEARING	1	
9	93440-47044-00	CIRCLIP, OUTER	1	
10	583-11549-00-00	SPROCKET, CAM CHAIN	1	
11	583-11533-00-00	PLATE, ABSORBER	1	
12	94500-02106-00	CHAIN	1	
13	94600-02001-00	. JOINT, CHAIN (BF05M)	1	
14	583-12231-00-00	GUIDE, STOPPER 1	1	
15	98503-06014-00	SCREW, PAN HEAD (92502-06016)	2	
16	341-12241-03-00	GUIDE, STOPPER 2	1	
17	583-12247-00-00	SHAFT, TENSIONER	1	
18	93210-12152-00	O-RING	1	
19	583-12217-00-00	ROD, CHN TENSIONER	1	
20	90501-14095-00	SPRING, COMPRESSION	1	
21	2H0-12232-00-00	DAMPER	1	
22	90149-18191-00	SCREW, SPEC'L SHAPE	1	
23	90179-18199-00	NUT, SPEC'L SHAPE	1	
24	93210-32172-00	O-RING	1	
25	583-12212-00-00	CASE, CHAIN TENSNR	1	

CRANKCASE



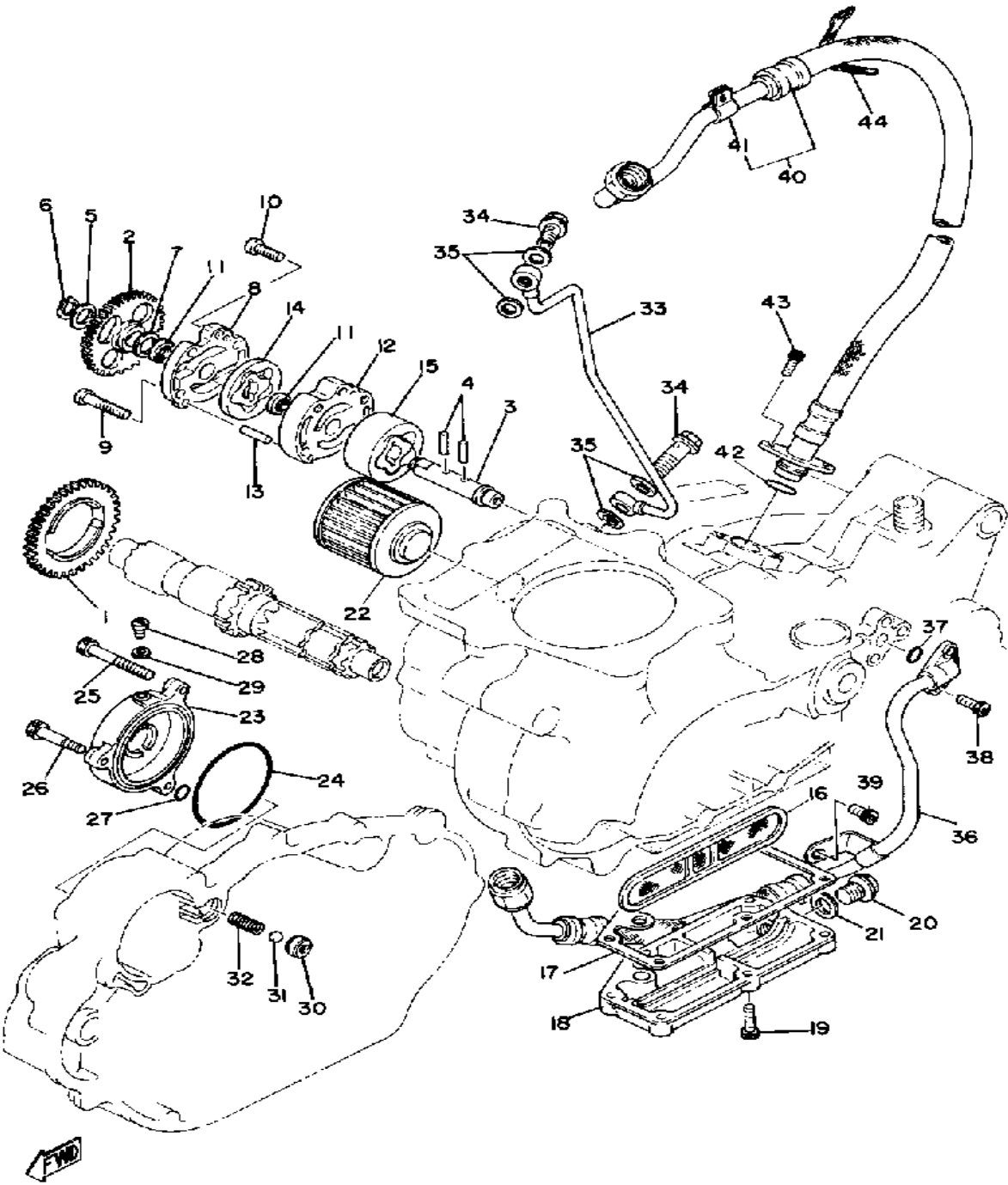
Ref. No.	Part Number	Description	Qty	Remarks
1	(3H1-15100-00-00)	CRANKCASE ASSEMBLY	1	
2	99510-12016-00	. PIN, DOWEL	2	
3	583-15371-00-00	BREATHER	1	
4	91316-06035-00	BOLT	8	
5	91316-06045-00	BOLT, SOCKET HEAD	4	
6	91316-06065-00	BOLT, SOCKET HEAD	1	
7	91316-06055-00	BOLT, SOCKET HEAD	1	
8	90430-09121-00	GASKET	1	
9	90465-08277-00	CLAMP	1	
10	(363-15381-00-00)	PLATE, BRNG COVER	1	
11	98701-05012-00	SCREW, FLAT HEAD	3	
12	90445-07039-00	HOSE	1	
13	(90465-05132-00)	CLAMP	1	
14	98580-06012-00	SCREW, PAN HEAD	1	
15	583-15383-00-00	PLATE, BRNG COVER	1	
16	98701-06014-00	SCREW, FLAT HEAD	2	
17	583-15426-00-00	COVER, OIL PUMP R	1	
18	583-15466-00-00	GASKET 2	1	
19	98580-06018-00	SCREW, PAN HEAD	4	

CRANKCASE COVER



Ref. No.	Part Number	Description	Qty	Remarks
1	2J2-15411-00-00	COVER, CRANKCASE L	1	
2	3HT-15451-00-00	GASKET, CRCS COVER	1	
3	91316-06025-00	BOLT	4	
4	91316-06035-00	BOLT	1	
5	3GW-15421-00-00	COVER, CRANKCASE R	1	
6	91316-06035-00	BOLT	3	
7	2J2-W1542-00-00	COVER, CRANKCASE 3 (2J2-15431-00)	1	
8	93101-14089-00	OIL SEAL	1	
9	99009-25500-00	CIRCLIP	1	
10	3HT-15462-00-00	GASKET, CRCS CVR 3	1	
11	90110-06138-00	BOLT, HEX SKT HEAD	8	
12	91316-06040-00	BOLT, SOCKET HEAD	2	
13	99510-12016-00	PIN, DOWEL	2	

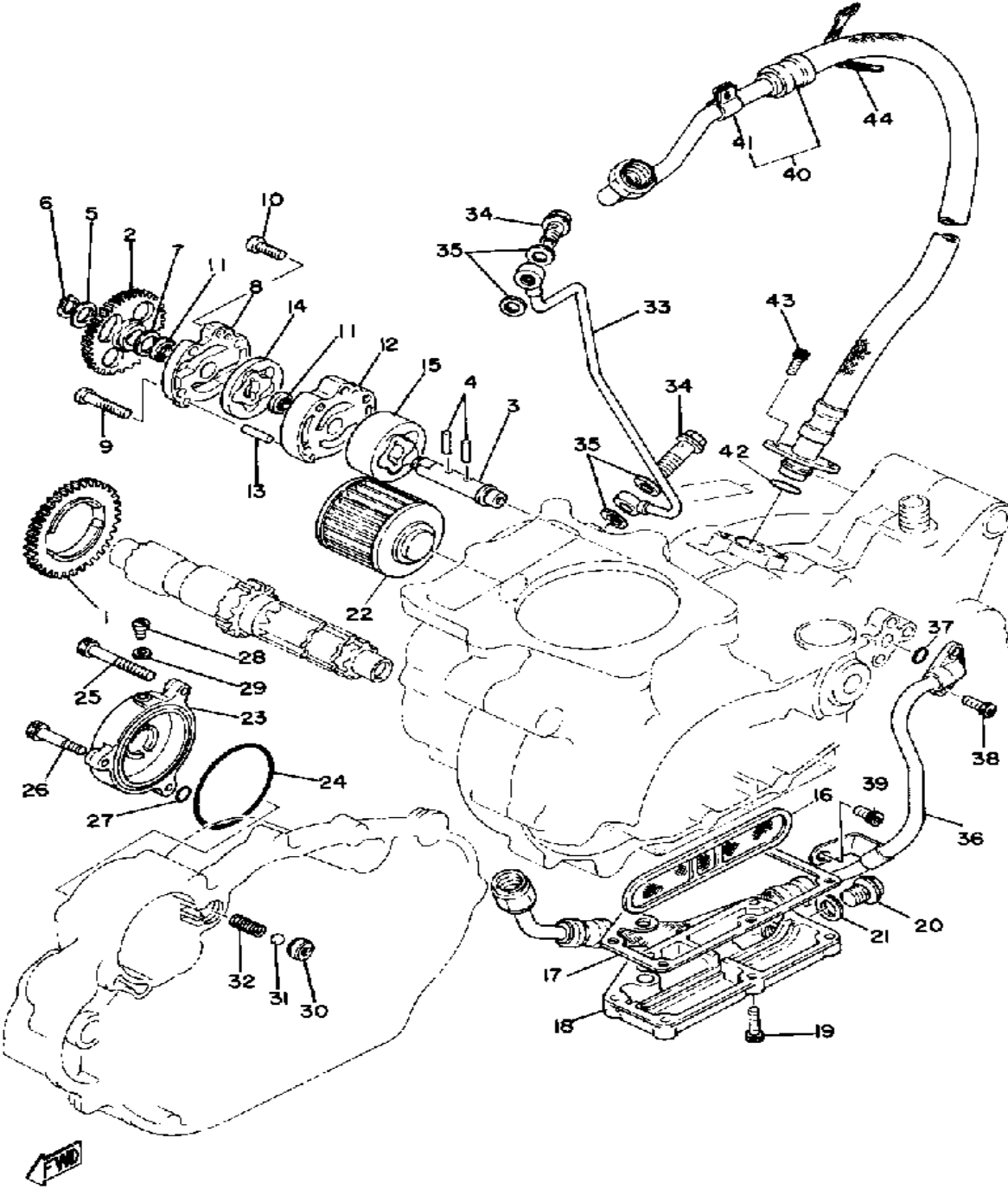
OIL PUMP OIL - CLEANER



Ref. No.	Part Number	Description	Qty	Remarks
1	583-13324-00-00	GEAR, PUMP DRIVE	1	
2	583-13325-00-00	GEAR, PUMP DRIVEN	1	
3	583-13314-00-00	SHAFT, PUMP	1	
4	93603-17070-00	PIN, DOWEL	2	
5	90201-10119-00	WASHER, PLATE	1	
6	99009-10400-00	CIRCLIP	1	
7	90201-12166-00	WASHER, PLATE	1	
8	99999-00996-00	CVR/HOUSING COMP	1	
9	98580-06030-00	SCREW PAN HEAD	3	
10	98580-06018-00	SCREW, PAN HEAD	2	
11	93104-11038-00	OIL SEAL, SO-TYPE	2	
12	99999-00996-00	CVR/HOUSING COMP	1	
13	93604-22050-00	PIN, DOWEL	2	
14	583-13310-01-00	ROTOR ASSEMBLY 1	1	
15	583-13320-00-00	ROTOR ASSEMBLY 2	1	
16	583-13411-00-00	STRAINER, OIL	1	
17	583-13414-00-00	GASKET, STRNR COVER	1	
18	583-13417-01-00	COVER, STRAINER	1	
19	91316-06020-00	BOLT, SOCKET HEAD	6	
20	3VD-13455-00-00	PLUG	1	
21	214-11198-01-00	GASKET	1	
22	4X7-13440-90-00	ELMNT ASSEMBLY, OIL CLNR	1	
23	2J2-13447-00-00	COVER, OIL ELEMENT	1	
24	93210-64297-00	O-RING	1	
25	91316-06060-00	BOLT	2	
26	90109-06511-00	BOLT	1	
27	93210-07438-00	O-RING	1	
28	90149-05110-00	SCREW	1	
29	90430-05126-00	GASKET	1	

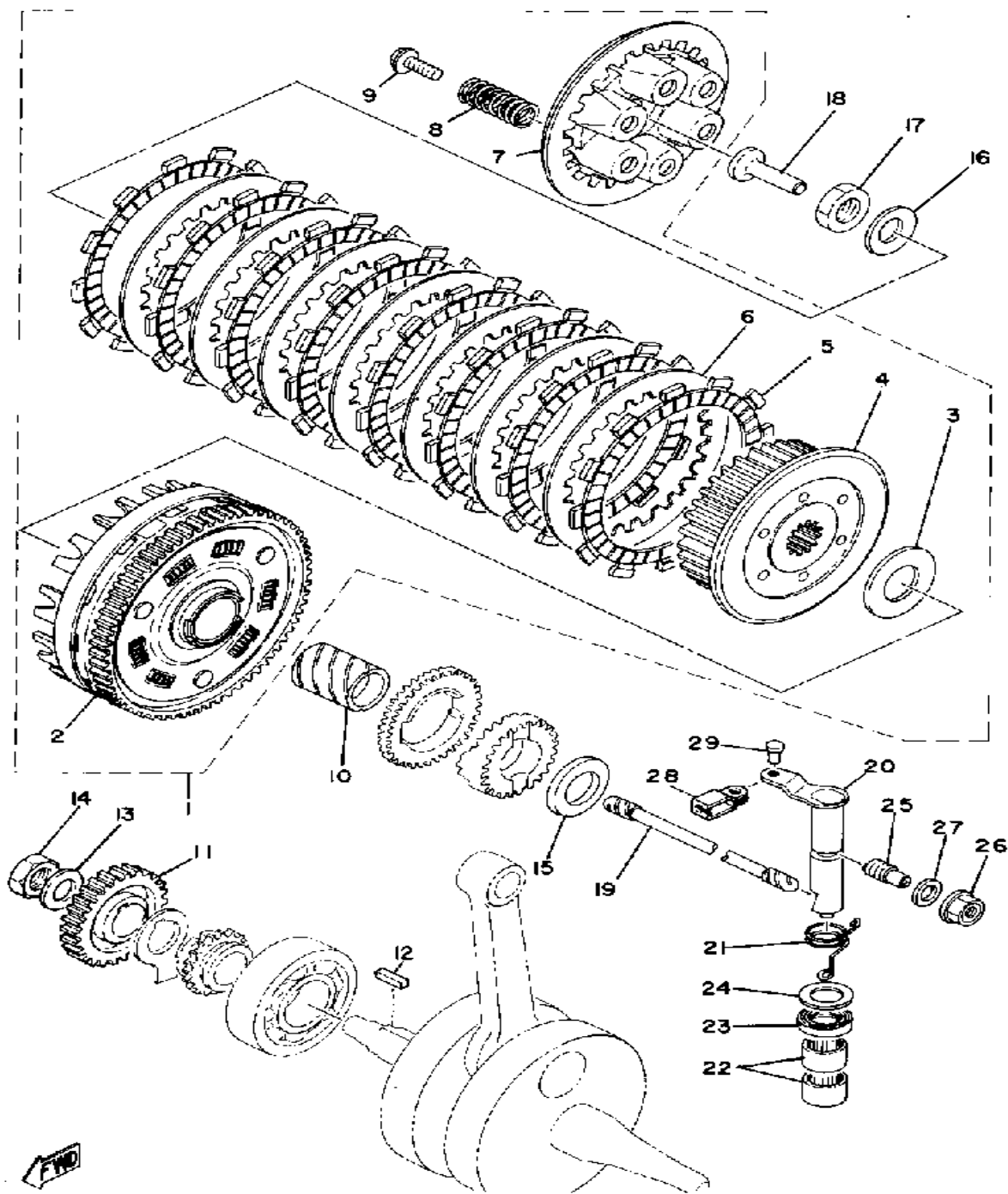
CONTINUED ON NEXT FRAME ➤

OIL PUMP OIL - CLEANER



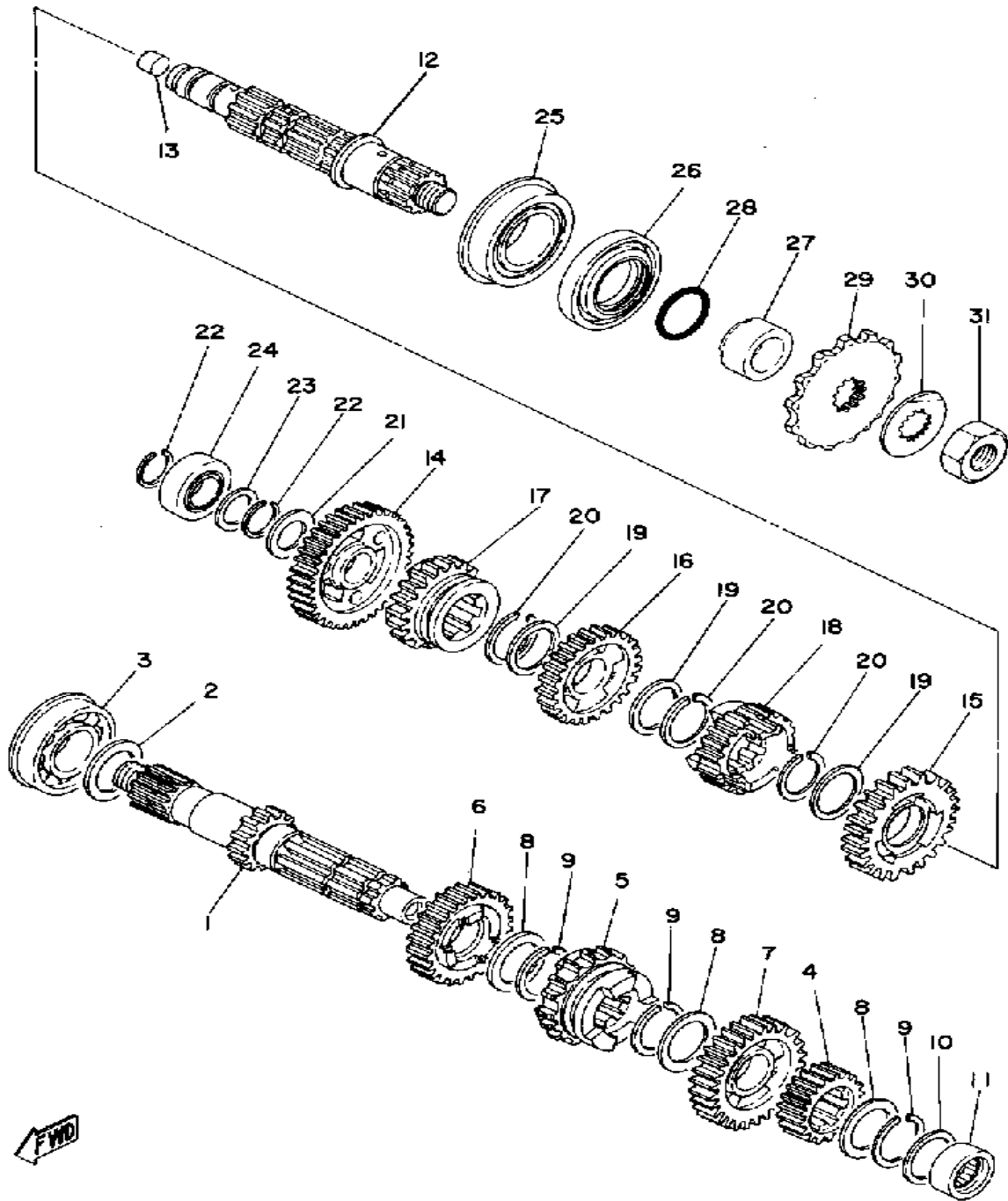
Ref. No.	Part Number	Description	Qty	Remarks
30	583-13113-00-00	SEAT, CHECK BALL	1	
31	93503-08007-00	BALL	1	
32	90501-05378-00	SPRING, COMPRESSION	1	
33	583-13161-01-00	PIPE, DELIVERY 1	1	
34	90401-08038-00	BOLT, UNION	2	
35	90201-08087-00	WASHER, PLATE	4	
36	583-13464-00-00	HOSE, OIL 1	1	
37	93210-10197-00	O-RING	1	
38	91316-06016-00	BOLT, SOCKET HEAD	2	
39	91316-06012-00	BOLT, SOCKET HEAD	1	
40	2J2-13465-00-00	HOSE, OIL 2	1	
41	(90461-10042-00)	CLAMP	1	
42	93210-15171-00	O-RING	1	
43	91316-06016-00	BOLT, SOCKET HEAD	2	
44	437-83936-01-00	BAND, SWITCH CORD	1	

CLUTCH



Ref. No.	Part Number	Description	Qty	Remarks
1	(2J2-16301-00-00)	CLUTCH ASSEMBLY	1	
2	(2J2-16150-00-00)	PRI DRVN GEAR	1	
3	170-16164-00-00	. PLATE, THRUST 2	1	
4	583-16371-00-00	. BOSS, CLUTCH	1	
5	5Y1-16321-00-00	. PLATE, FRICTION	8	
6	360-16325-00-00	. PLATE, CLUTCH 2	7	
7	498-16351-00-00	. PLATE, PRESSURE 1	1	
8	90501-23391-00	. SPRING, COMPRESSION	6	
9	90159-06010-00	. SCREW, WITH WASHER	6	
10	90560-25153-00	SPACER	1	
11	583-16111-00-00	GEAR, PRI DRIVE	1	
12	90282-07021-00	KEY, STRAIGHT	1	
13	90208-16019-00	WASHER, CONICAL SPRING	1	
14	90170-16182-00	NUT	1	
15	363-16154-00-00	PLATE, THRUST 1	1	
16	214-16119-00-00	SPRING, BELLEVILLE	1	
17	90170-18086-00	NUT, HEXAGON	1	
18	174-16356-00-00	ROD, PUSH 1	1	
19	583-16357-01-00	ROD, PUSH 2	1	
20	583-16381-00-00	AXLE, PUSH LEVER	1	
21	90508-12279-00	SPRING, TORSION	1	
22	93315-11720-00	BEARING	2	
23	93102-17357-00	OIL SEAL	1	
24	90201-17327-00	WASHER, PLATE	1	
25	364-16343-00-00	SCREW, ADJUSTING	1	
26	583-16344-00-00	NUT, ADJUSTING	1	
27	90201-12172-00	WASHER, PLATE	1	
28	214-16389-00-00	JOINT	1	
29	90243-06016-00	PIN	1	

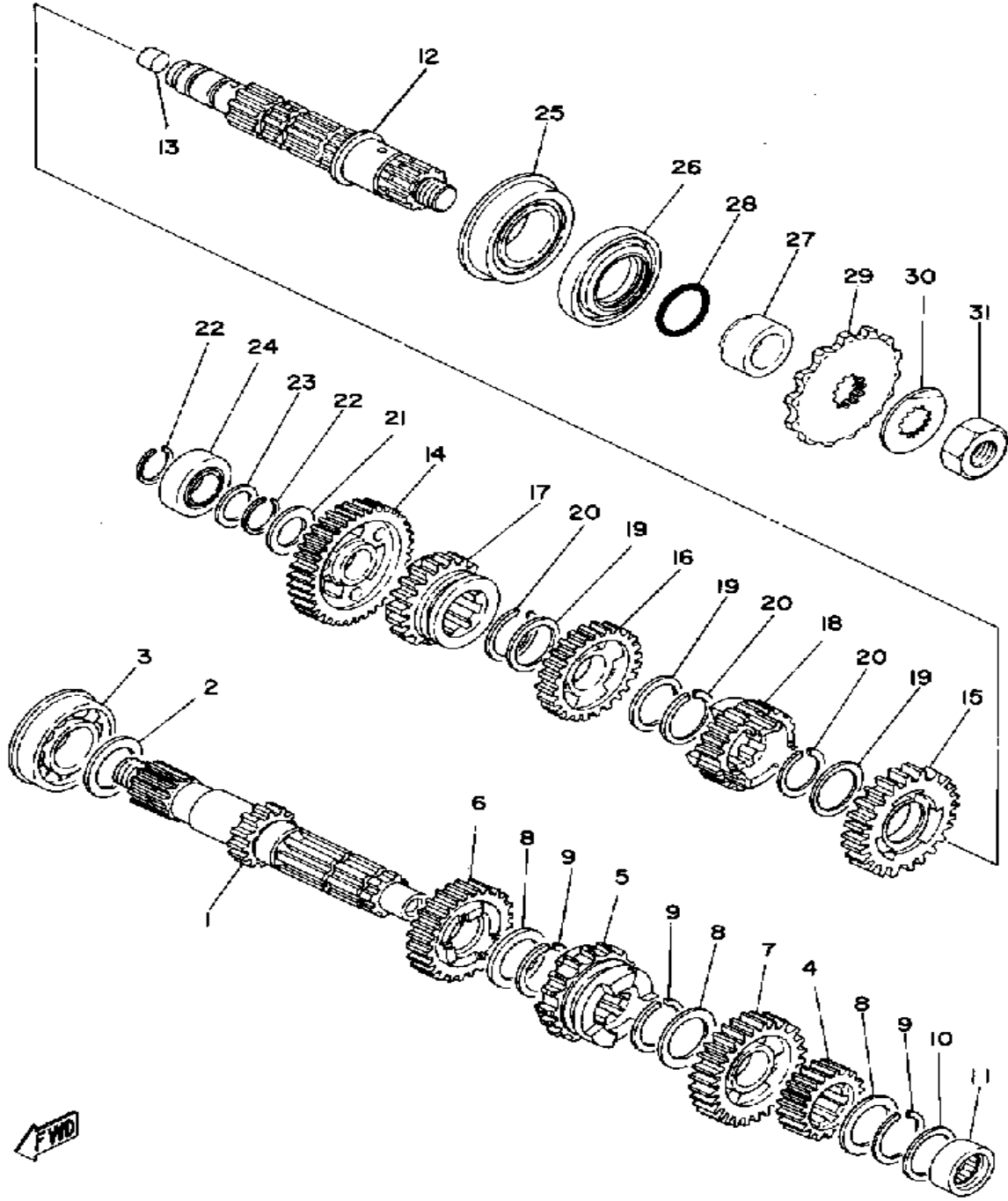
TRANSMISSION



Ref. No.	Part Number	Description	Qty	Remarks
1	583-17411-01-00	AXLE, MAIN	1	
2	168-17428-01-05	SHIM 2 (25-34-0.5)	1	
3	93304-20501-00	BEARING	1	
4	583-17121-00-00	GEAR, 2ND PINION	1	
5	583-17131-02-00	GEAR, 3RD PINION	1	
6	583-17141-00-00	GEAR, 4TH PINION	1	
7	583-17151-01-00	GEAR, 5TH PINION	1	
8	90201-253K0-00	WASHER, PLATE (T=1.0)	3	
9	93440-25020-00	CIRCLIP	3	
10	90201-20266-00	WASHER, PLATE (1.0T)	1	
11	93311-42012-00	BEARING, CYLINDER.# 1	1	
12	99999-01986-00	AXLE, DRIVE	1	
13	90338-09066-00	PLUG, SPEC'L SHAPE	1	
14	583-17211-00-00	GEAR, 1ST WHEEL	1	
15	583-17221-00-00	GEAR, 2ND WHEEL	1	
16	583-17231-01-00	GEAR, 3RD WHEEL	1	
17	583-17241-00-00	GEAR, 4TH WHEEL	1	
18	583-17251-01-00	GEAR, 5TH WHEEL	1	
19	90201-253K0-00	WASHER, PLATE (T=1.0)	3	
20	93440-25020-00	CIRCLIP	3	
21	90201-20278-00	WASHER, PLATE	1	
22	93410-20038-00	CIRCLIP	2	
23	90201-20266-00	WASHER, PLATE (1.0T)	1	
24	93313-32008-00	BEARING, CYLINDER.# 3	1	
25	93306-30517-00	BEARING	1	
26	93102-35180-00	OIL SEAL, SD-TYPE	1	
27	90387-25646-00	COLLAR	1	
28	93210-22298-00	O-RING	1	
29	9385E-16114-00	SPROCKET, DRIVE 16T	1	

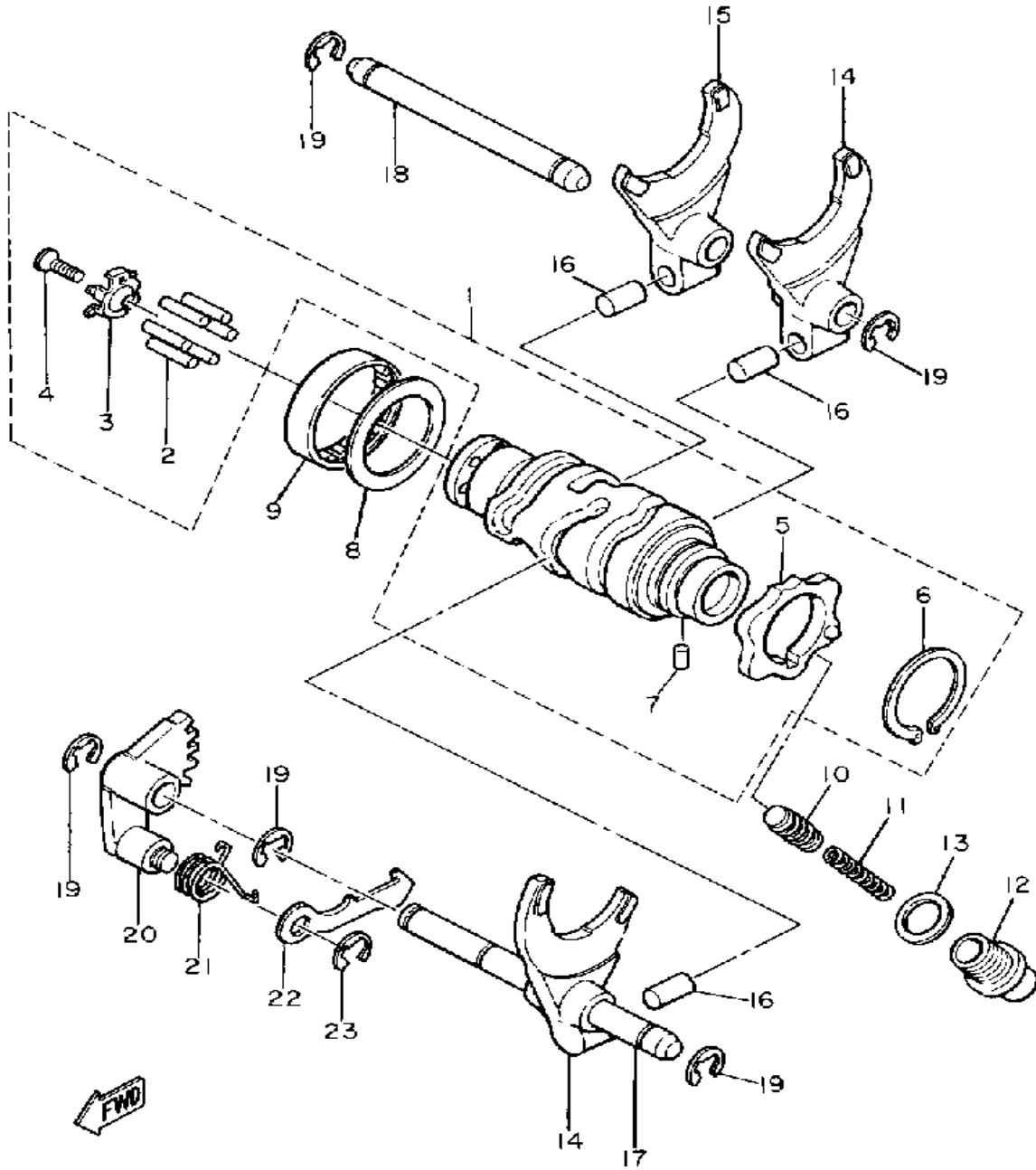
CONTINUED ON NEXT FRAME ➤

TRANSMISSION



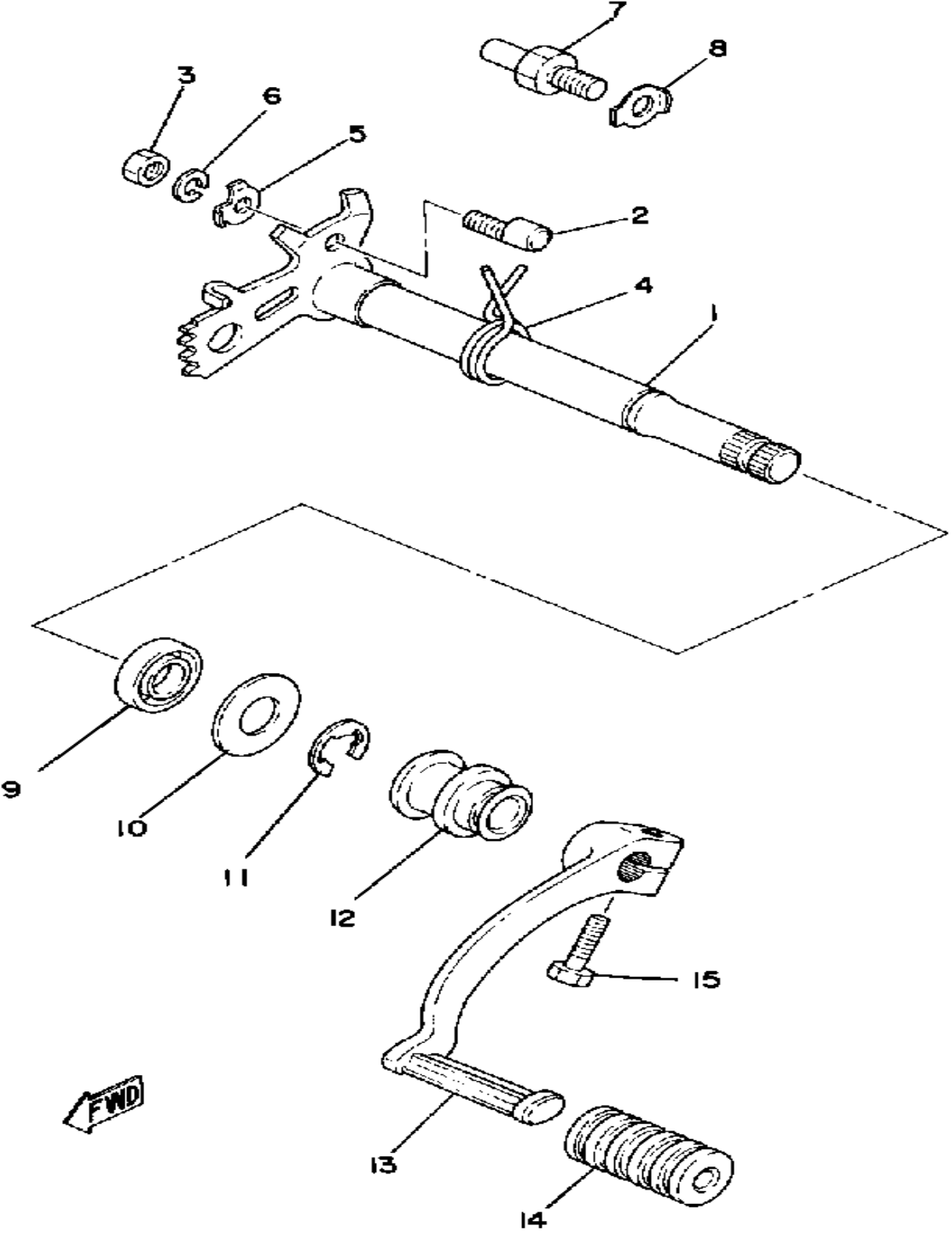
Ref. No.	Part Number	Description	Qty	Remarks
30	90215-21022-00	WASHER, LOCK	1	
31	90179-18020-00	NUT	1	

SHIFT CAM - FORK



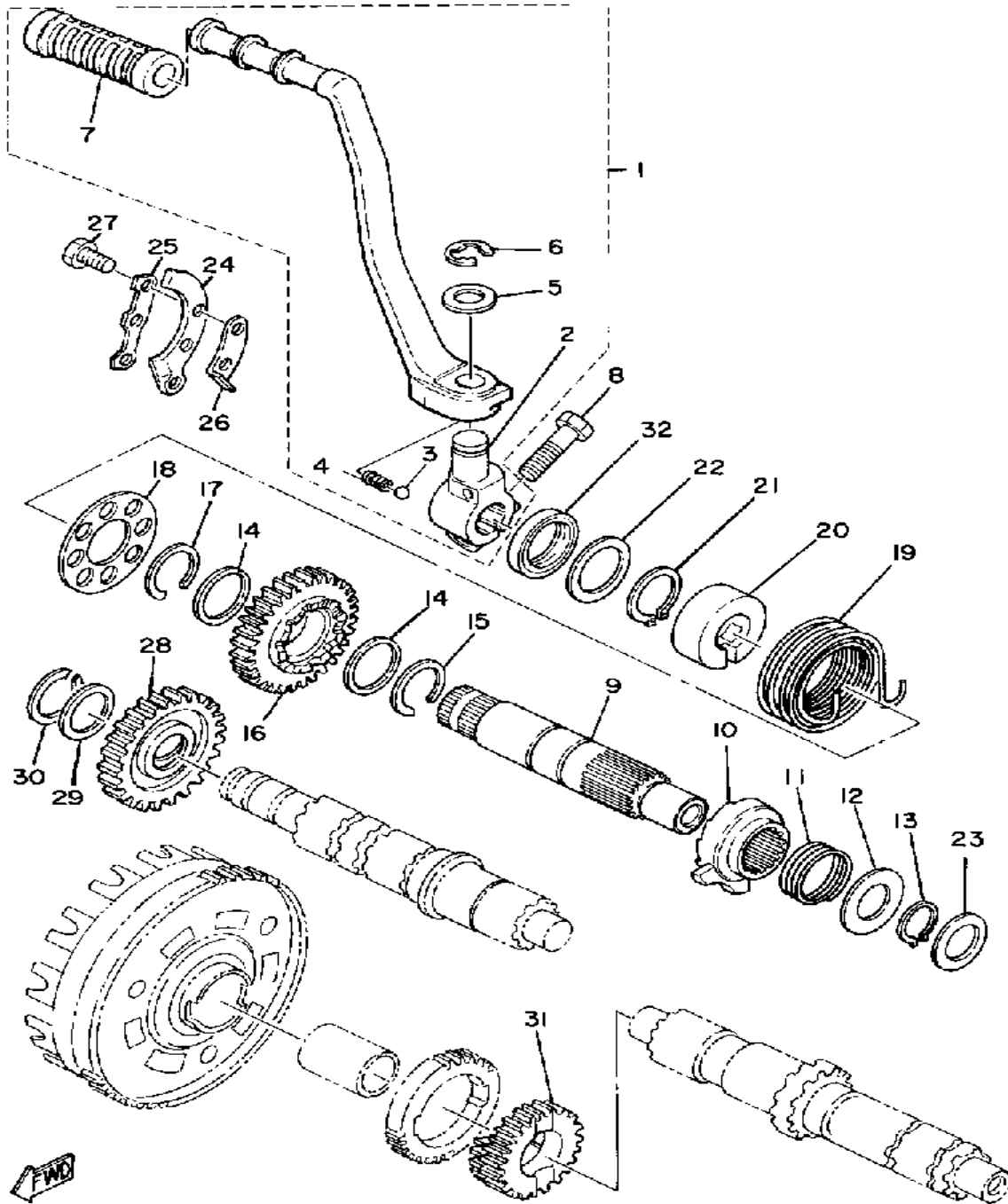
Ref. No.	Part Number	Description	Qty	Remarks
1	2J2-18540-00-00	SHIFT CAM ASSEMBLY	1	
2	93604-18100-00	. PIN, DOWEL	6	
3	434-18561-00-00	. PLATE, SIDE 1	1	
4	98701-05012-00	. SCREW, FLAT HEAD	1	
5	2J2-W1814-00-00	. PLATE, STOPPER	1	
6	99009-30400-00	. CIRCLIP	1	
7	93604-08071-00	. PIN, DOWEL	1	
8	90201-32673-00	WASHER, PLATE	1	
9	93315-23208-00	BEARING	1	
10	1J7-18547-00-00	STOPPER, CAM	1	
11	90501-10062-00	SPRING, COMPRESSION	1	
12	90149-14031-00	SCREW, SPEC'L SHAPE	1	
13	137-15353-00-00	GASKET, DRAIN	1	
14	364-18511-00-00	FORK, SHIFT 1	2	
15	363-18511-00-00	FORK, SHIFT 1	1	
16	90250-08017-00	PIN, STRAIGHT	3	
17	(363-18531-00-00)	BAR, SHIF FRK GDE 1	1	
18	363-18535-00-00	BAR, SHIF FRK GDE 2	1	
19	99001-08600-00	CIRCLIP	5	
20	434-18122-00-00	LEVER, SHIFT 2	1	
21	90508-08334-00	SPRING, TORSION	1	
22	498-18151-03-00	LEVER, SHIFT 3	1	
23	99080-07600-00	CIRCLIP (E)	1	

SHIFT SHAFT - PEDAL



Ref. No.	Part Number	Description	Qty	Remarks
1	2J2-18103-00-00	SHAFT, SHIFT	1	
2	90149-06017-00	SCREW, SPEC'L SHAPE (214-18186-00)	1	
3	95380-06600-00	NUT	1	
4	90508-32052-00	SPRING, TORSION (214-18124-00)	1	
5	90215-06016-00	WASHER, LOCK	1	
6	92995-06100-00	WASHER, SPRING	1	
7	278-18127-00-00	STOPPER, SCREW	1	
8	90215-08115-00	WASHER, LOCK	1	
9	93109-14010-00	OIL SEAL, SDO-TYPE	1	
10	90201-14220-00	WASHER, PLATE	1	
11	99001-12600-00	CIRCLIP	1	
12	583-18131-00-00	BOOT, SEALING	1	
13	2J2-18111-01-00	PEDAL, SHIFT	1	CHROME PLATED
14	132-18113-01-00	COVER, SHIFT PEDAL	1	
15	97011-06020-00	BOLT	1	

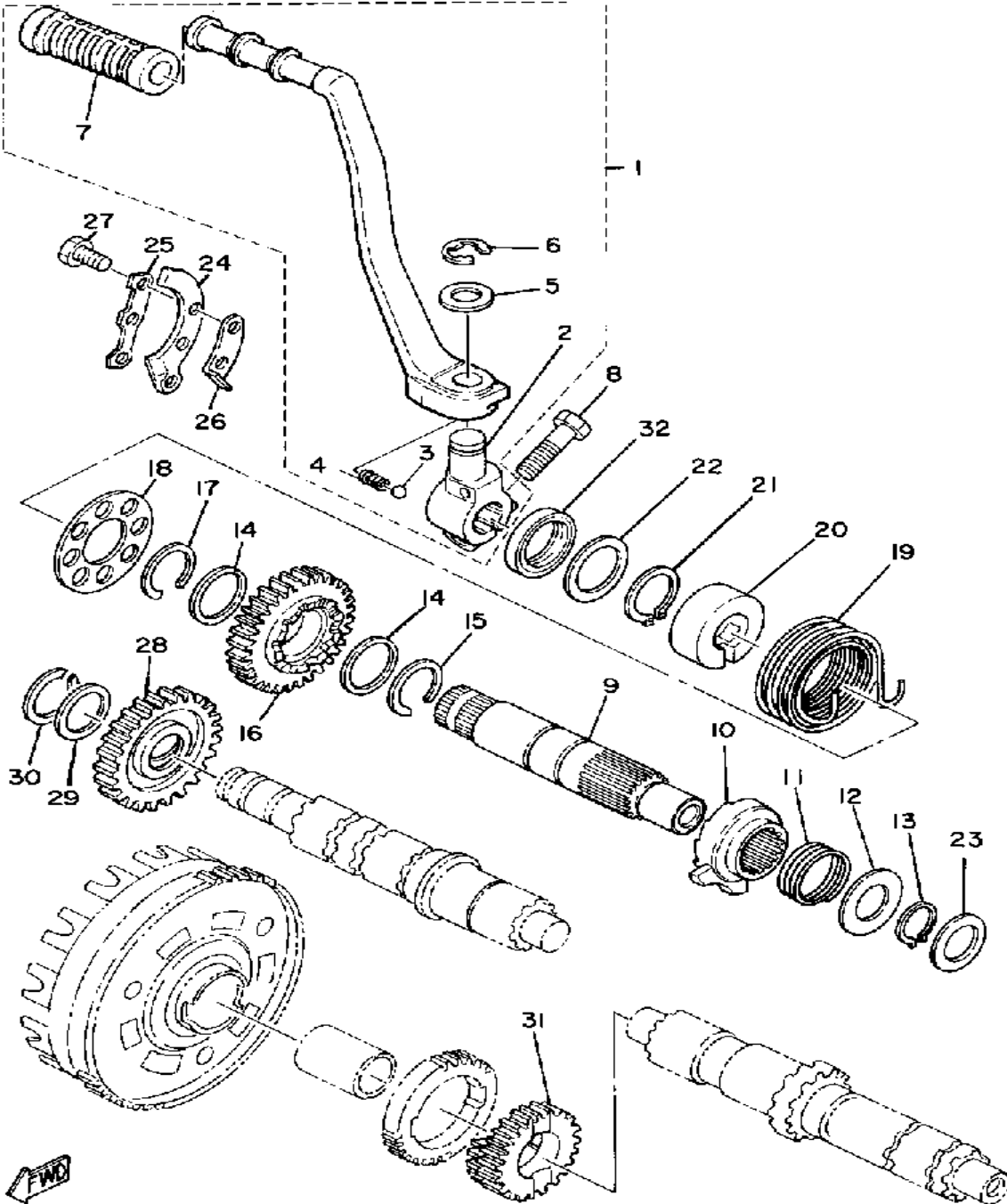
KICK STARTER



Ref. No.	Part Number	Description	Qty	Remarks
1	2J2-15610-02-00	KICK CRANK ASSEMBLY	1	
2	583-15621-00-00	. BOSS, KICK CRANK	1	
3	93507-32031-00	. BALL	1	
4	90501-12081-00	. SPRING, COMPRESSION	1	
5	90201-15234-00	. WASHER, PLATE	1	
6	99006-10600-00	. CIRCLIP	1	
7	1T1-15618-00-00	. COVER, KICK LEVER	1	
8	97313-08030-00	BOLT, HEXAGON	1	
9	583-15661-00-00	AXLE, KICK	1	
10	583-15671-00-00	WHEEL, RATCHET	1	
11	90501-23143-00	SPRING, COMPRESSION (363-15675-00)	1	
12	363-15676-00-00	COVER, SPRING	1	
13	99009-19400-00	CIRCLIP	1	
14	90201-253K0-00	WASHER, PLATE (T=1.0)	2	
15	93440-25020-00	CIRCLIP	1	
16	583-15641-00-00	GEAR, KICK	1	
17	93440-25084-00	CIRCLIP	1	
18	(583-15676-00-00)	COVER, SPRING	1	
19	90508-32280-00	SPRING, TORSION	1	
20	(90560-25154-00)	SPACER	1	
21	93410-25010-00	CIRCLIP, S-TYPE	1	
22	90201-256K6-00	WASHER, PLATE (0.9T)	1	
23	90201-20278-00	WASHER, PLATE	1	
24	583-15674-00-00	GUIDE, RATCHET WHL	1	
25	363-15686-00-00	WASHER, LOCK	1	
26	434-15668-00-00	STOPPER	1	
27	97011-06016-00	BOLT	3	
28	583-15651-00-00	GEAR, KICK IDLE	1	

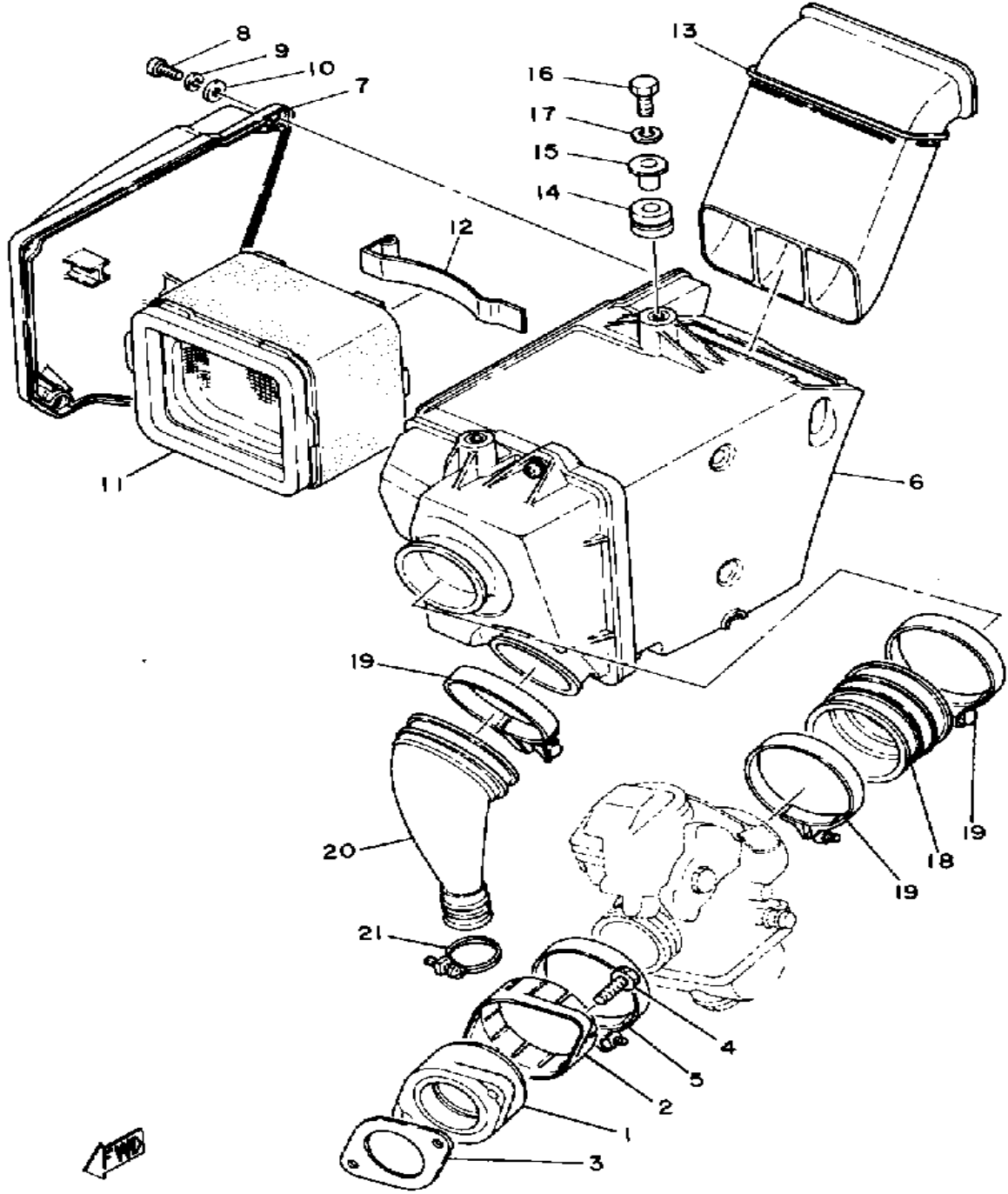
CONTINUED ON NEXT FRAME ►

KICK STARTER



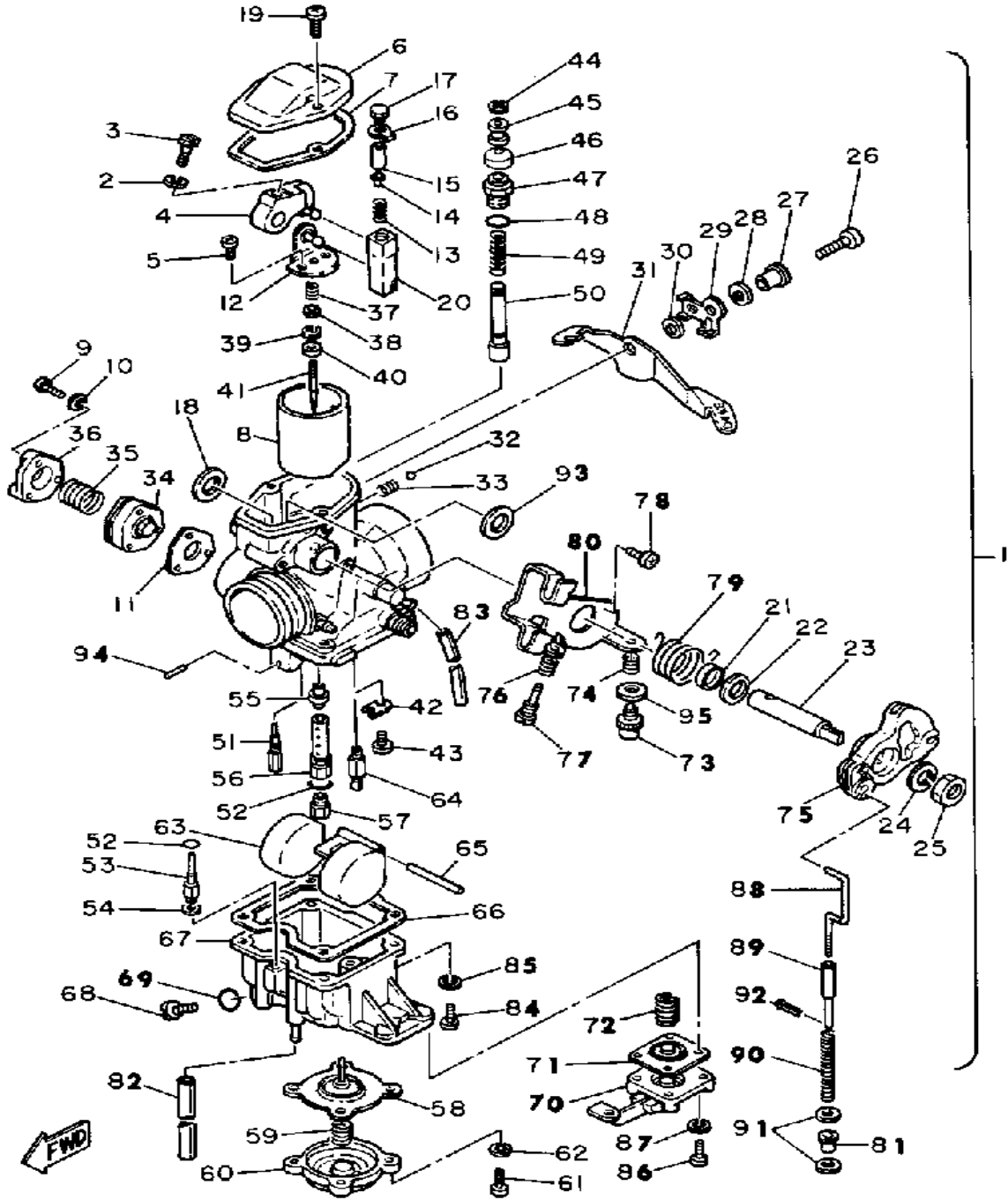
Ref. No.	Part Number	Description	Qty	Remarks
29	90201-17255-00	WASHER, PLATE	1	
30	99009-17400-00	CIRCLIP	1	
31	583-15631-00-00	GEAR, KICK PINION	1	
32	93102-25064-00	OIL SEAL	1	

INTAKE



Ref. No.	Part Number	Description	Qty	Remarks
1	583-13565-01-00	JOINT, CARBURETOR	1	
2	256-13564-00-00	COVER, CARB.JOINT	1	
3	583-13556-01-00	GASKET, MANIFOLD	1	
4	91316-06025-00	BOLT	2	
5	90460-58015-00	CLAMP, HOSE	1	
6	2J2-14401-00-00	AIR CLNR CASE ASSEMBLY	1	
7	2J2-14422-00-00	CAP, CLEANER CASE 2	1	
8	98580-05012-00	SCREW, PAN HEAD	4	
9	92990-05100-00	WASHER, SPRING	4	
10	92901-05600-00	WASHER, PLATE	4	
11	2J2-14451-00-00	ELEMENT, AIR CLNR	1	
12	2J2-14468-00-00	PLATE, ELEMENT FTNG	1	
13	(2J2-14437-00-00)	DUCT	1	
14	90480-14023-00	GROMMET	2	
15	90387-07391-00	COLLAR	2	
16	97011-06025-00	BOLT (97001-06025)	2	
17	92995-06100-00	WASHER, SPRING	2	
18	3H1-14453-00-00	JOINT, AIR CLNR 1	1	
19	90460-61063-00	CLAMP, HOSE (256-14455-00)	3	
20	2J2-14463-00-00	JOINT, AIR CLNR 2	1	
21	90460-22083-00	CLAMP, HOSE	1	

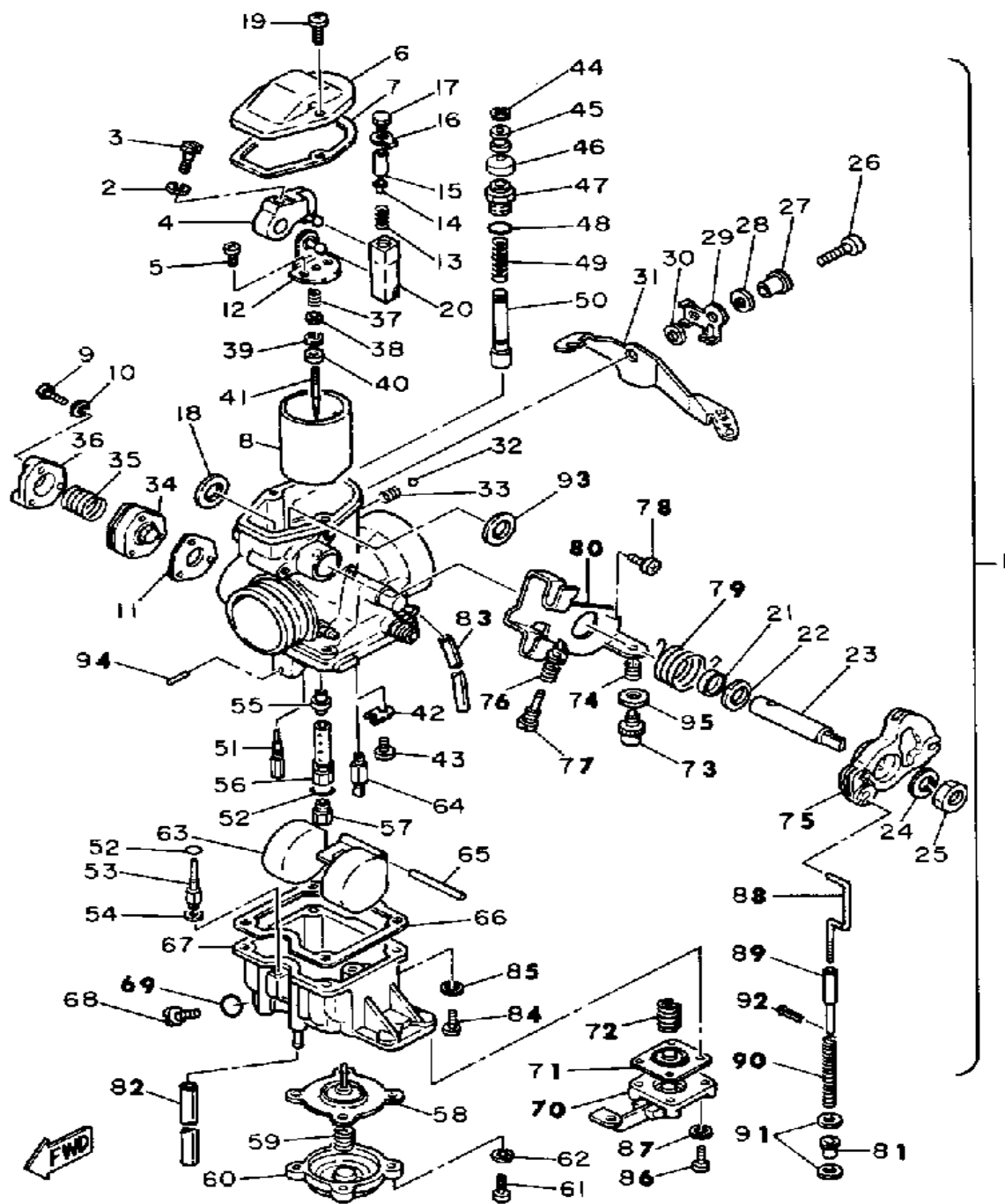
CARBURETOR



Ref. No.	Part Number	Description	Qty	Remarks
1	(3H1-14101-00-00)	CARBURETOR ASSEMBLY 1	1	
2	92990-05100-00	. WASHER, SPRING	1	
3	(2V0-14592-00-00)	SCREW	1	
4	(3H1-14292-00-00)	BRACKET 2	1	
5	98511-04012-00	. SCREW, PAN HEAD	2	
6	(3H1-14158-00-00)	TOP, MIXING CHAMBER	1	
7	583-14536-00-00	. GASKET	1	
8	(3H1-14112-35-00)	VALVE, THROTTLE 1	1	
9	98511-04025-00	. SCREW, PAN HEAD	3	
10	92901-04100-00	. WASHER, SPRING	3	
11	2H0-14198-00-00	. GASKET	1	
12	(3H1-14291-00-00)	BRACKET 1	1	
13	(1T2-14933-00-00)	SPRING, DIAPHRAGM	1	
14	(583-14558-00-00)	WASHER	1	
15	(583-14386-00-00)	PIN, FLOAT	1	
16	(583-14951-00-00)	WASHER	1	
17	(3H1-14216-00-00)	SCREW	1	
18	583-14264-00-00	. SPACER	1	
19	98503-04014-00	. SCREW, PAN HEAD	2	
20	(583-14274-00-00)	CONNECTOR	1	
21	583-14239-01-00	. SEAL	1	
22	583-14265-00-00	. COLLAR	1	
23	(3H1-14215-00-00)	SHAFT, THRTL LEVER	1	
24	92990-08100-00	. WASHER	1	
25	812-14594-00-00	. NUT	1	
26	(98502-06014-00)	SCREW, PAN HEAD	1	
27	2J2-14194-00-00	. RING	1	
28	2J2-14962-00-00	. WASHER	1	
29	2H0-14178-00-00	. PLATE, STARTER LVR	1	

CONTINUED ON NEXT FRAME ➤

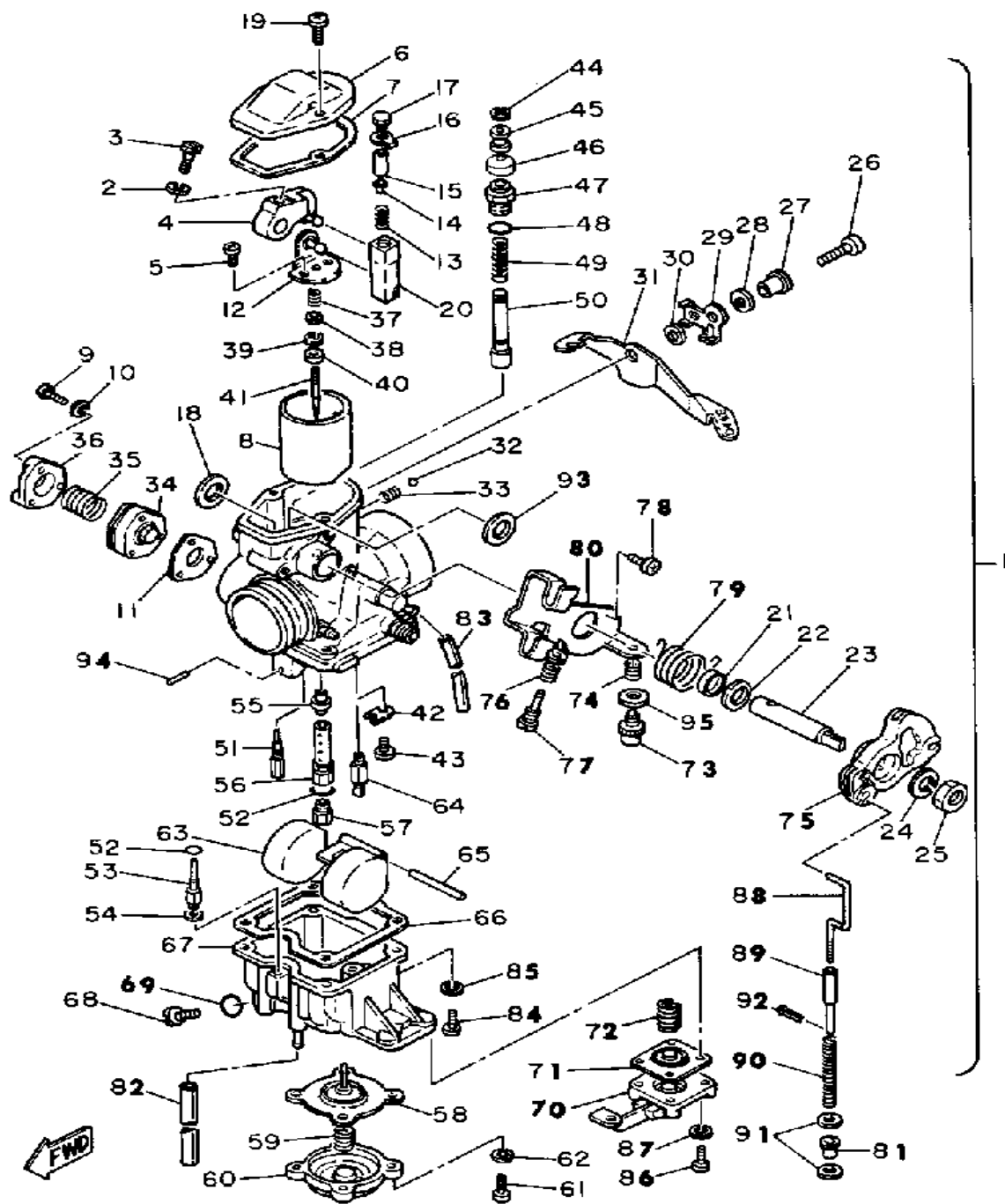
CARBURETOR



Ref. No.	Part Number	Description	Qty	Remarks
30	2H0-14218-00-00	. SPRING, CHOKE LEVER	
31	2H0-14175-00-00	. LEVER, STARTER 1	1
32	93501-08001-00	. BALL	1
33	583-14589-00-00	. SPRING	1
34	2H0-14217-00-00	. PUMP BODY ASSEMBLY.	1
35	3H6-14933-00-00	. SPRING, DIAPHRAGM	1
36	(2H0-14958-00-00)	COVER, DIAPHRAGM	1
37	3H1-14589-00-00	. SPRING	1
38	2N6-14227-01-00	. WASHER	1
39	164-14137-00-00	. CLIP	1
40	2N6-14918-01-00	. RING	1
41	(644-14116-31-00)	NEEDLE	1
42	2H0-14146-00-00	. PLATE	1
43	98511-04006-00	. SCREW, PAN HEAD (98501-04005)	1
44	737-14137-00-00	. CLIP	1
45	583-14918-00-00	. RING	1
46	(3H1-14173-00-00)	COVER, PLUNGER CAP	1
47	2H0-14174-00-00	. CAP, PLUNGER	1
48	583-14562-00-00	. O-RING	1
49	256-14135-00-00	. SPRING, PLUNGER	1
50	2H0-14171-00-00	. PLUNGER, STARTER	1
51	3H1-14142-20-00	. JET, PILOT # 0	1
52	583-14561-00-00	. O-RING	2
53	2H0-14272-00-00	. VALVE, CHECK SEAT	1
54	2H0-14195-00-00	. WASHER, NEEDLE VLV	1
55	2H0-14141-48-00	. NOZZLE, MAIN	1
56	3H1-14148-00-00	. PIPE	1
57	137-14143-52-00	. JET, MAIN (#260)	1

CONTINUED ON NEXT FRAME ►

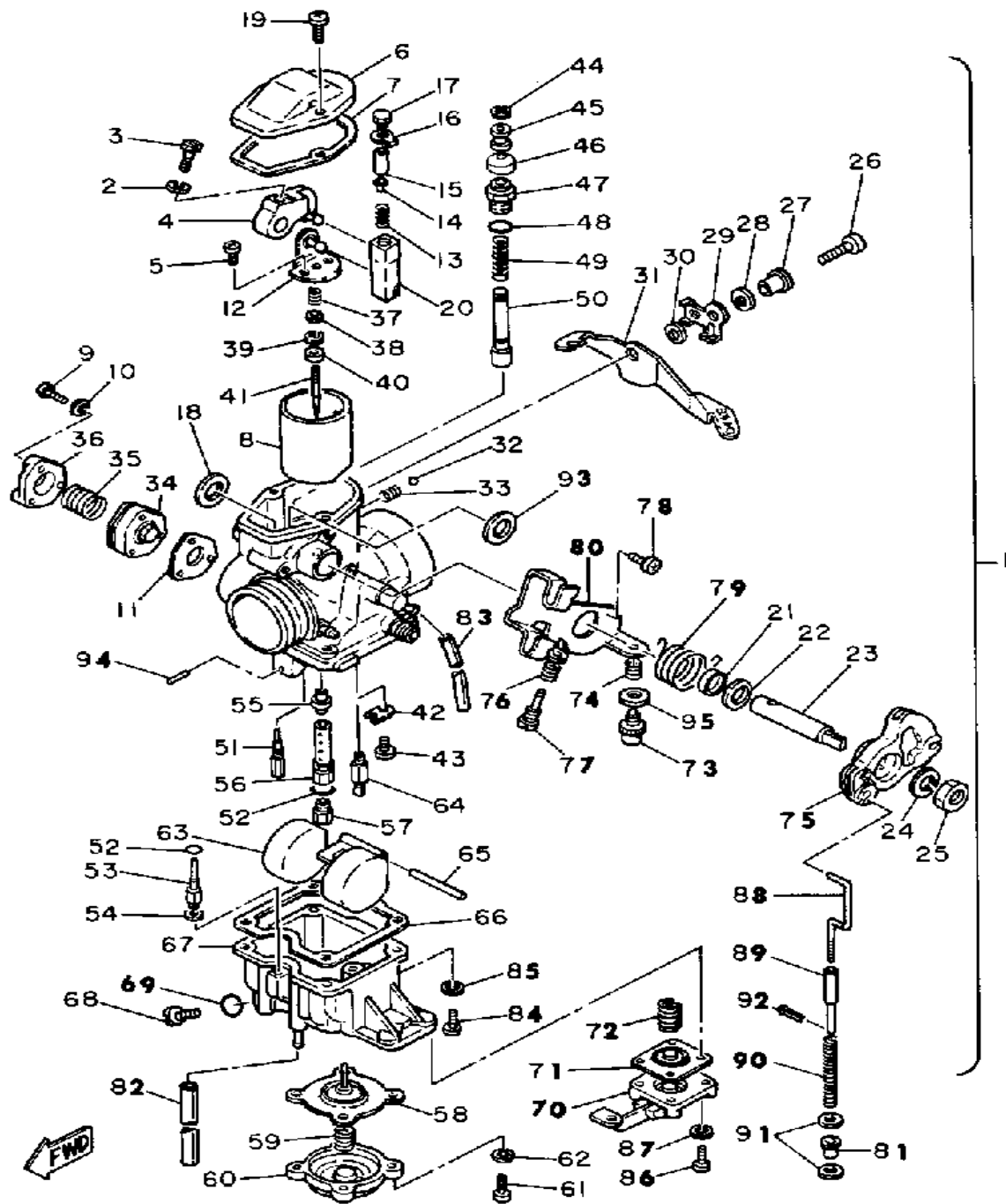
CARBURETOR



Ref. No.	Part Number	Description	Qty	Remarks
58	3H1-14940-00-00	. DIAPHRAGM ASSEMBLY ...	1	
59	3H1-14933-00-00	. SPRING, DIAPHRAGM	1	
60	(3H1-14958-00-00)	COVER, DIAPHRAGM	1	
61	98503-04014-00	. SCREW, PAN HEAD	4	
62	92901-04100-00	. WASHER, SPRING	4	
63	3H1-14185-00-00	. FLOAT	1	
64	3H1-14190-28-00	. NEEDLE VALVE ASSEMBLY .	1	
65	537-14186-00-00	. PIN, FLOAT	1	
66	3H1-14184-00-00	. GASKET, FLOAT CHMBR ...	1	
67	(99999-01148-00)	BODY, FLOAT ASSEMBLY. ...	1	
68	2L1-14191-00-00	. PLUG, DRAIN	1	
69	214-14147-00-00	. O-RING	1	
70	2H0-14905-00-00	. LEVER, STARTER	1	
71	2J4-14940-00-00	. DIAPHRAGM ASSEMBLY ...	1	
72	2J4-14589-00-00	. SPRING	1	
73	(2H6-14121-00-00)	SCREW, THRTL STOP	1	
74	2J2-14133-00-00	. SPRING, THROTTLE STOP ..	1	
75	(3H1-14573-00-00)	LEVER	1	
76	583-14133-00-00	. SPRING, THRTL STOP	1	
77	583-14245-00-00	. SCREW, GUIDE	1	
78	98580-05012-00	. SCREW, PAN HEAD	2	
79	583-14131-01-00	. SPRING, THRTL VALVE	1	
80	(3H1-14571-00-00)	BRACKET, THROTTLE	1	
81	2H0-14534-00-00	. COLLAR	1	
82	2J2-14196-00-00	. PIPE	1	
83	90445-081F2-00	. HOSE	1	
84	98580-05016-00	. SCREW, PAN HEAD	4	
85	92990-05100-00	. WASHER, SPRING	4	
86	98511-04012-00	. SCREW, PAN HEAD	4	

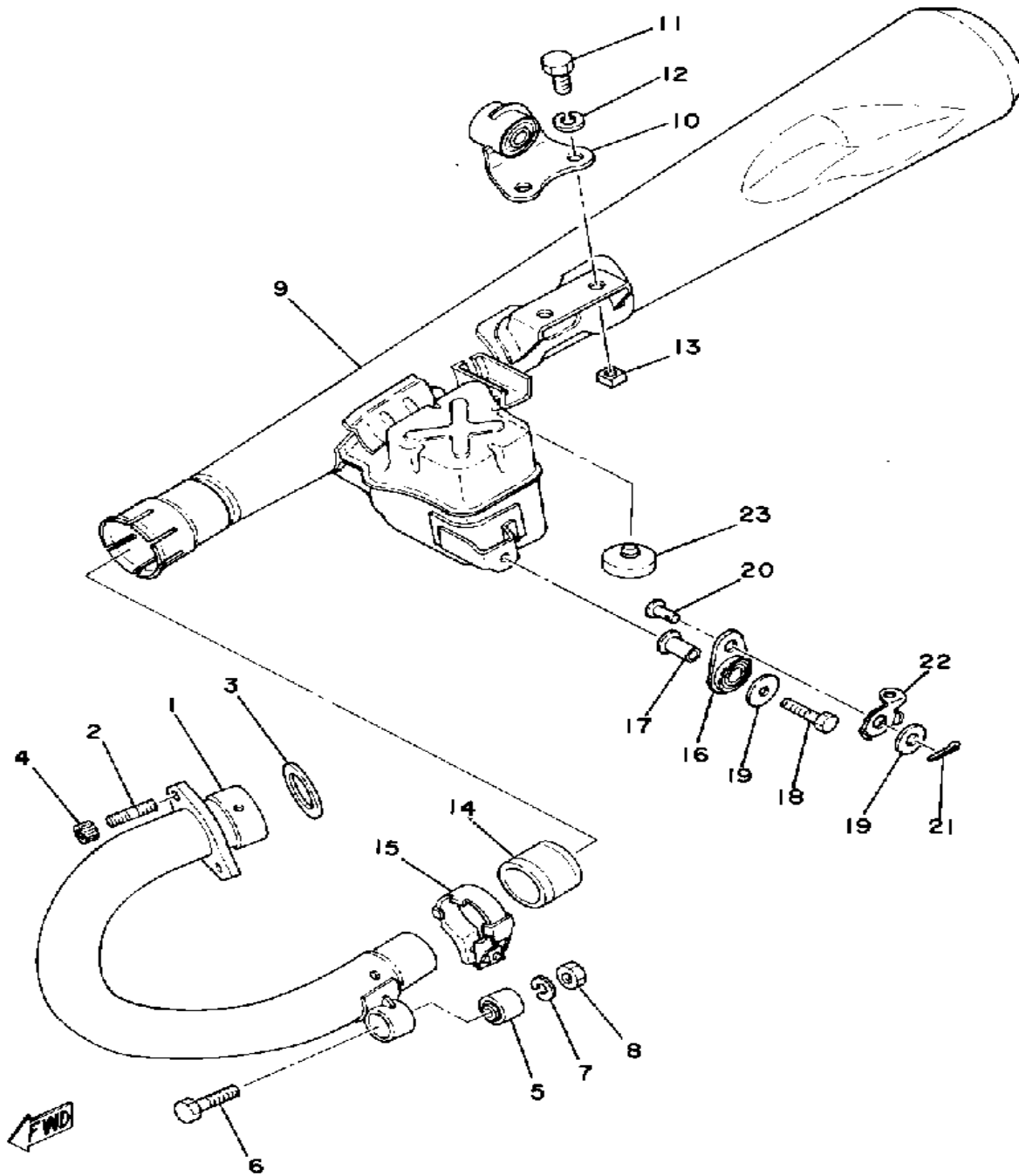
CONTINUED ON NEXT FRAME ►

CARBURETOR



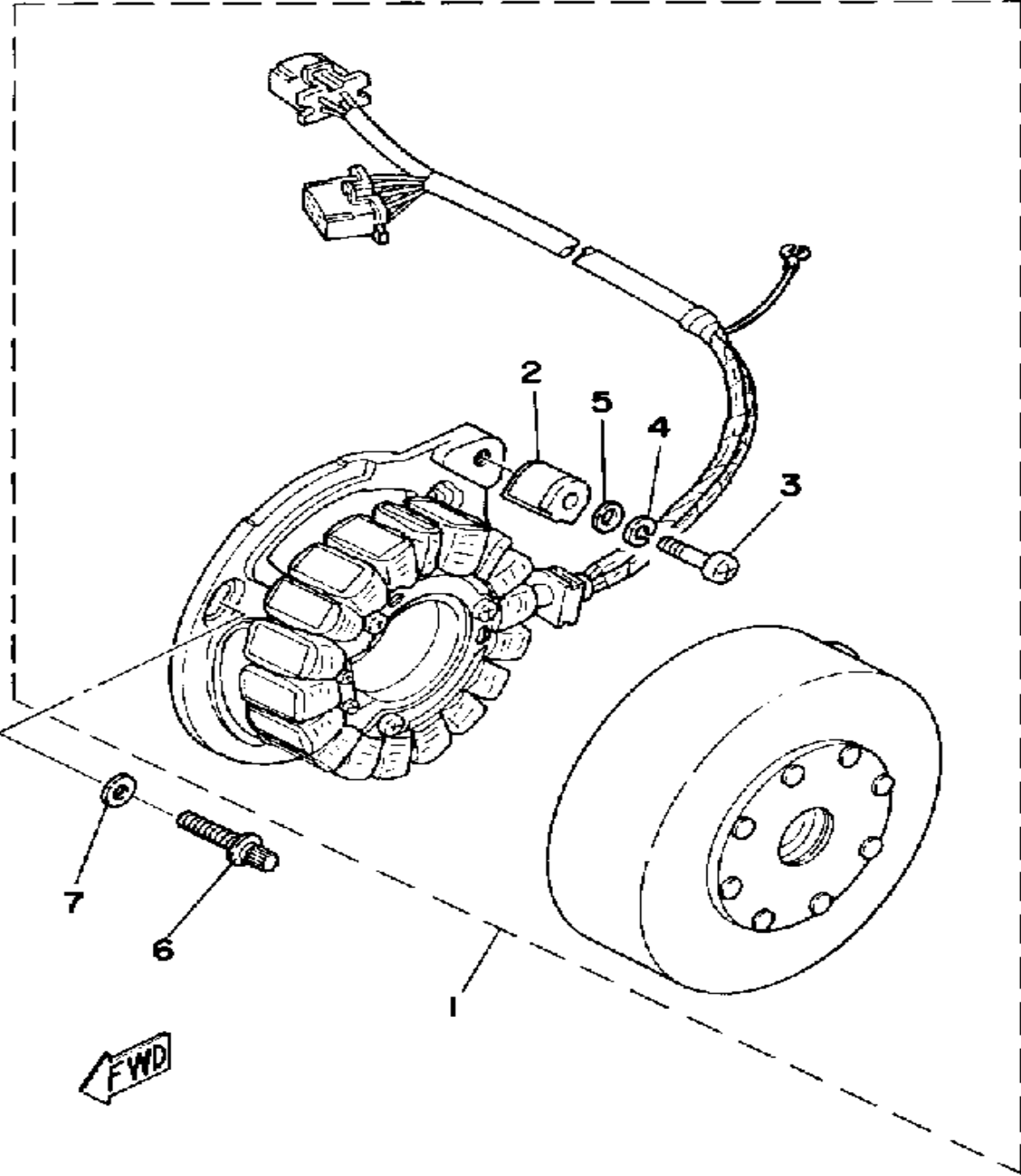
Ref. No.	Part Number	Description	Qty	Remarks
87	92901-04100-00	. WASHER, SPRING	4	
88	3H1-14992-00-00	. ROD	1	
89	2H0-14992-00-00	. ROD	1	
90	2J2-14589-00-00	. SPRING	1	
91	2H0-14227-00-00	. WASHER	2	
92	91401-10015-00	. PIN, COTTER	1	
93	3H1-14227-00-00	. WASHER	1	
94	(3H1-14386-00-00)	PIN, FLOAT	1	
95	1A8-14953-00-00	. WASHER	1	

EXHAUST



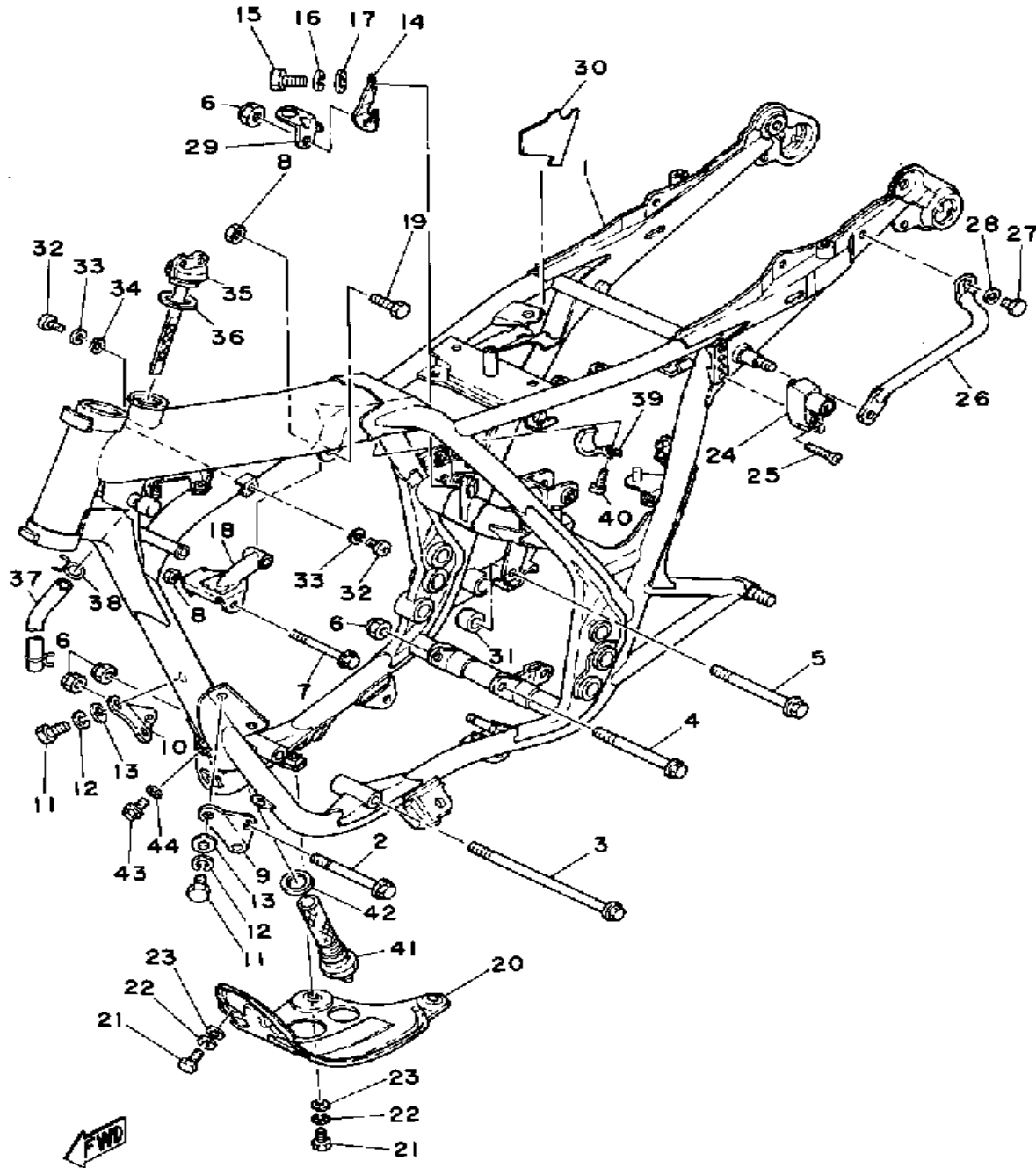
Ref. No.	Part Number	Description	Qty	Remarks
1	2J2-14611-01-00	PIPE, EXHAUST L	1	
2	95621-08615-00	BOLT, STUD	2	
3	90430-38054-00	GASKET	1	
4	90179-08004-00	NUT	2	
5	2J2-14737-01-00	DAMPER, MUFFLER	1	
6	97313-08045-00	BOLT	1	
7	92990-08100-00	WASHER	1	
8	95333-08600-00	NUT	1	
9	3H1-14703-02-00	MUFFLER 1	1	
10	2J2-14771-01-00	STAY, MUFFLER 1	1	
11	97011-10020-00	BOLT	2	
12	92906-10100-00	WASHER, SPRING	2	
13	95701-10500-00	NUT, FLANGE (95702-10500) ..	2	
14	3GW-14714-00-00	GASKET, MUFFLER	1	
15	2J2-14788-00-00	BAND, SILENCER	1	
16	2J2-14791-00-00	STAY, MUFFLER	1	
17	90387-08664-00	COLLAR	1	
18	97313-08035-00	BOLT, HEXAGON	1	
19	90201-08649-00	WASHER, PLATE	2	
20	91701-08018-00	PIN	1	
21	91401-25020-00	PIN, COTTER	1	
22	90465-08134-00	CLAMP	1	
23	1A0-27114-00-00	STOPPER, MAIN STAND	1	

C - D - I MAGNETO



Ref. No.	Part Number	Description	Qty	Remarks
1	4R8-81400-50-00	AC MAGNET GEN ASSEMBLY	1	
2	2J2-81416-50-00	. COIL, PULSER	1	
3	98580-05035-00	. SCREW, PAN HEAD	1	
4	92990-05100-00	. WASHER, SPRING	1	
5	92901-05600-00	. WASHER, PLATE	1	
6	3J3-81674-00-00	BOLT	3	
7	90201-06643-00	WASHER, PLATE	3	

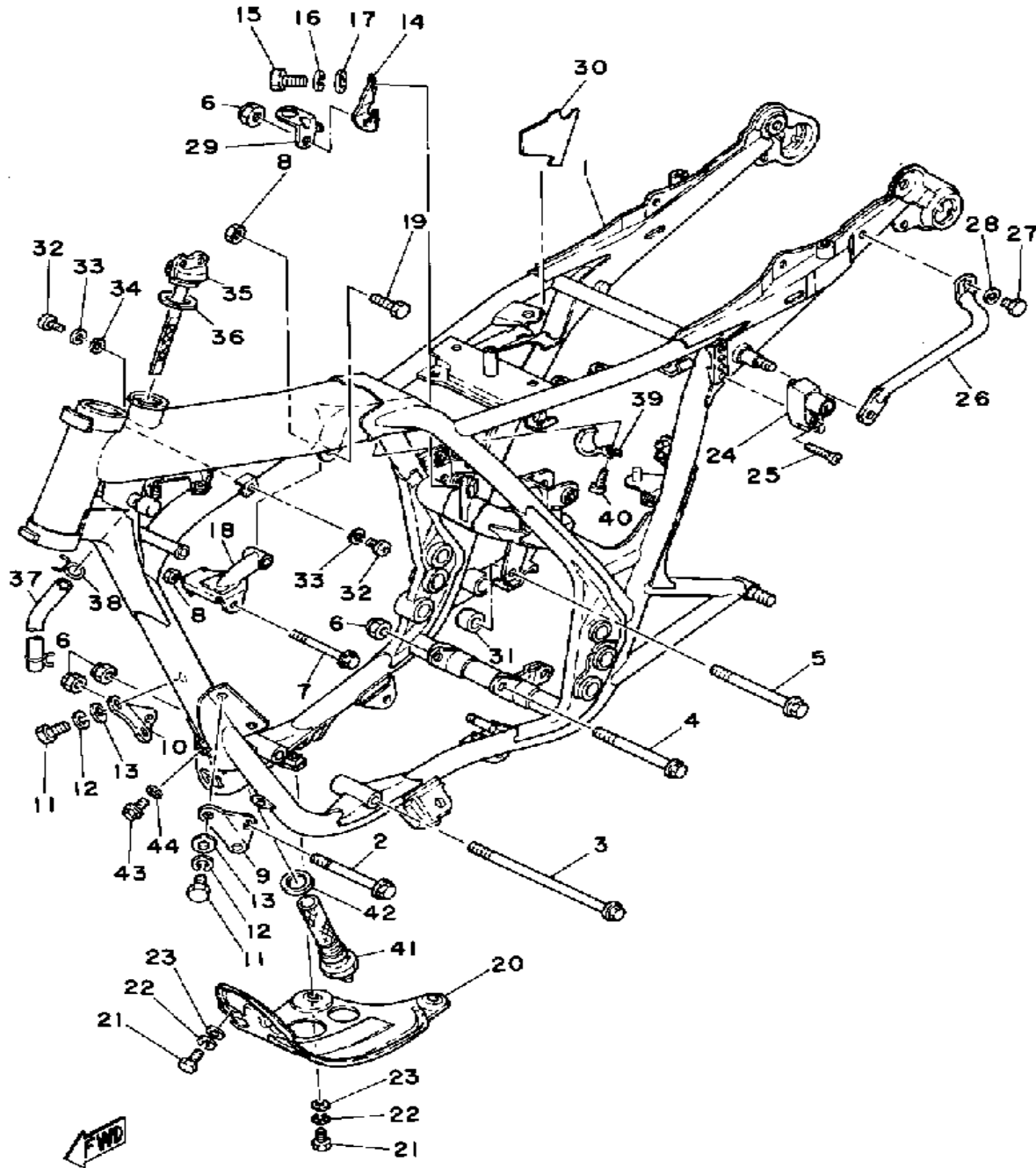
FRAME



Ref. No.	Part Number	Description	Qty	Remarks
1	(2J4-21110-31-33)	FRAME	1	YAMAHA BLACK
2	90105-10039-00	BOLT, WASHER BASED	1	
3	90105-10113-00	BOLT, WASHER BASED	1	
4	90105-10050-00	BOLT, WASHER BASED	1	
5	90105-10119-00	BOLT, WASHER BASED	1	
6	90185-10060-00	NUT, SELF-LOCKING	4	
7	90105-08118-00	BOLT, WASHER BASED	1	
8	90185-08089-00	NUT, SELF-LOCKING	2	
9	2J2-21315-00-33	STAY, ENGINE 2	1	YAMAHA BLACK
10	2J2-21316-00-33	STAY, ENGINE 3	1	YAMAHA BLACK
11	97313-08018-00	BOLT, HEXAGON (97301-08016)	4	
12	92990-08100-00	WASHER	4	
13	92901-08600-00	WASHER	4	
14	2J2-21317-01-00	STAY, ENGINE 4	1	
15	97013-08025-00	BOLT	2	
16	92990-08100-00	WASHER	2	
17	92901-08600-00	WASHER	2	
18	2J2-21318-01-00	STAY, ENGINE 5	1	
19	97313-08040-00	BOLT, HEXAGON (97322-08040)	1	
20	3X4-21471-00-90	PROTECTOR, ENGINE	1	
21	97313-06016-00	BOLT, HEXAGON	3	
22	92995-06100-00	WASHER, SPRING	3	
23	90201-06067-00	WASHER, PLATE	3	
24	26H-21308-00-00	HELMET HANGER ASSEMBLY (4R8-21308-00)	1	
25	90149-06150-00	SCREW	1	
26	2J2-21165-00-00	HANDLE, STANDING	1	
27	97013-06012-00	BOLT	1	
28	92901-06600-00	WASHER	1	

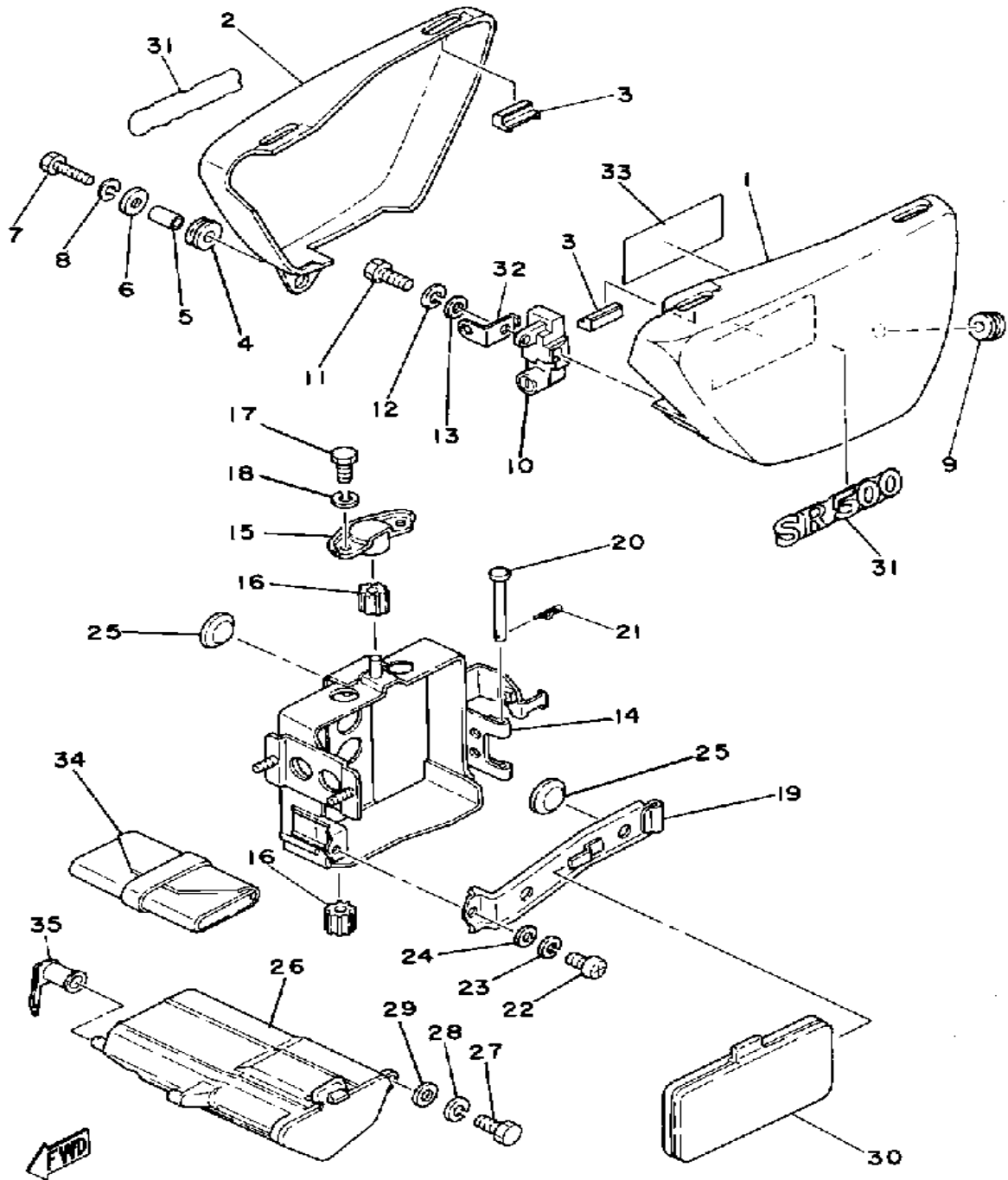
CONTINUED ON NEXT FRAME ►

FRAME



Ref. No.	Part Number	Description	Qty	Remarks
29	2J2-2144G-00-00	STAY, STOP SWITCH	1	
30	(2J2-2117F-00-00)	COVER	1	
31	2J2-21459-01-00	SPACER	1	
32	98580-05012-00	SCREW, PAN HEAD	2	
33	92990-05100-00	WASHER, SPRING	2	
34	92990-05200-00	WASHER, PLAIN	1	
35	2J2-21771-02-00	BODY, CAP	1	
36	90430-27124-00	GASKET	1	
37	90445-11289-00	HOSE	1	
38	90467-10008-00	CLIP	2	
39	(2J2-21335-00-00)	CLAMP, WIRE HRNES 1	1	
40	97780-50110-00	SCREW, TAPPING	1	
41	583-21756-00-00	NET, FILTER	1	
42	90430-22123-00	GASKET	1	
43	95811-08012-00	BOLT, FLANGE	1	
44	90201-08087-00	WASHER, PLATE	1	

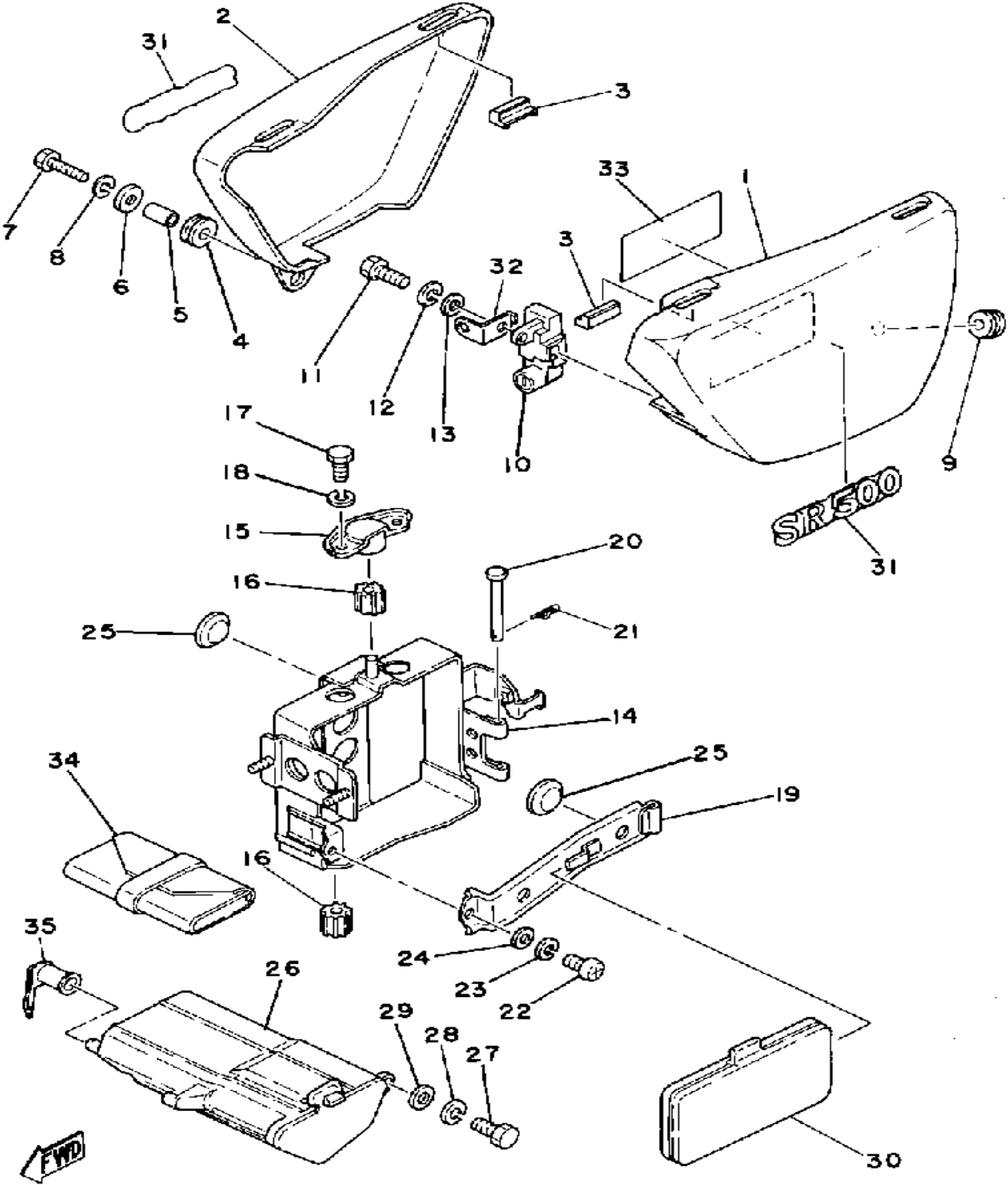
SIDE COVER - TOOL



Ref. No.	Part Number	Description	Qty	Remarks
1	2J2-21711-01-7J	COVER, SIDE 1	1	NEW RUBY RED
2	2J2-21721-01-7J	COVER, SIDE 2	1	NEW RUBY RED
3	466-21717-00-00	DAMPER, SIDE COVER	4	
4	90480-14105-00	GROMMET	1	
5	90387-07393-00	COLLAR (308-84557-00)	1	
6	90201-06067-00	WASHER, PLATE	1	
7	97021-06030-00	BOLT	1	
8	92995-06100-00	WASHER, SPRING	1	
9	90480-12236-00	GROMMET	1	
10	4R8-21708-00-00	SIDE CVR LOCK ASSEMBLY	1	
11	97313-06016-00	BOLT, HEXAGON	2	
12	92995-06100-00	WASHER, SPRING	2	
13	92901-06600-00	WASHER	2	
14	2J2-21170-00-00	BOX, BATT.	1	
15	2J2-21149-01-00	BRACKET, BATT BOX	1	
16	2J2-21729-00-00	CLAMP, DAMPER	3	
17	97011-06010-00	BOLT	2	
18	92995-06100-00	WASHER, SPRING	2	
19	(2J2-2176E-00-00)	PLATE	1	
20	91701-05055-00	PIN, CLEVIS	1	
21	90468-10050-00	CLIP	1	
22	98580-06012-00	SCREW, PAN HEAD	1	
23	92995-06100-00	WASHER, SPRING	1	
24	92901-06600-00	WASHER	1	
25	371-82121-00-00	PAD, BATTERY	4	
26	2J2-21240-01-00	BOX, TOOL	1	
27	97301-06014-00	BOLT, HEXAGON	1	
28	92995-06100-00	WASHER, SPRING	1	
29	90201-06M08-00	WASHER, PLATE	1	

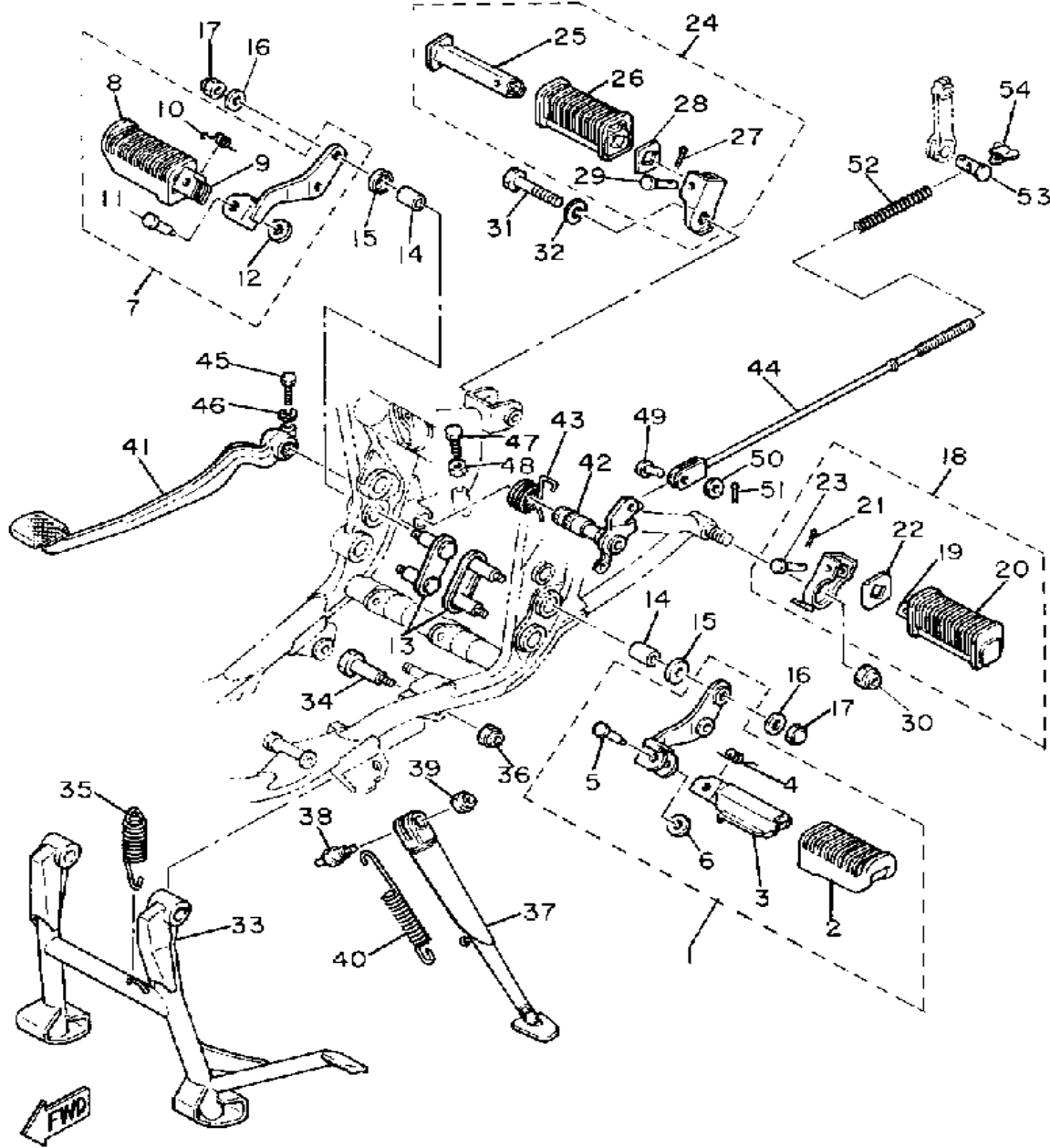
CONTINUED ON NEXT FRAME ►

SIDE COVER - TOOL



Ref. No.	Part Number	Description	Qty	Remarks
30	(2J2-21245-00-00)	BOX	1	
31	3H1-21781-00-00	EMBLEM 1	2	
32	(2J2-21794-00-00)	HOLDER, KNOB	1	
33	(3H6-21683-00-00)	PLATE, SPEC	1	
34	1JN-W2810-00-00	TOOL KIT (1E6-28100-10)	1	
35	(2J2-21172-00-00)	STOPPER, BOX	1	

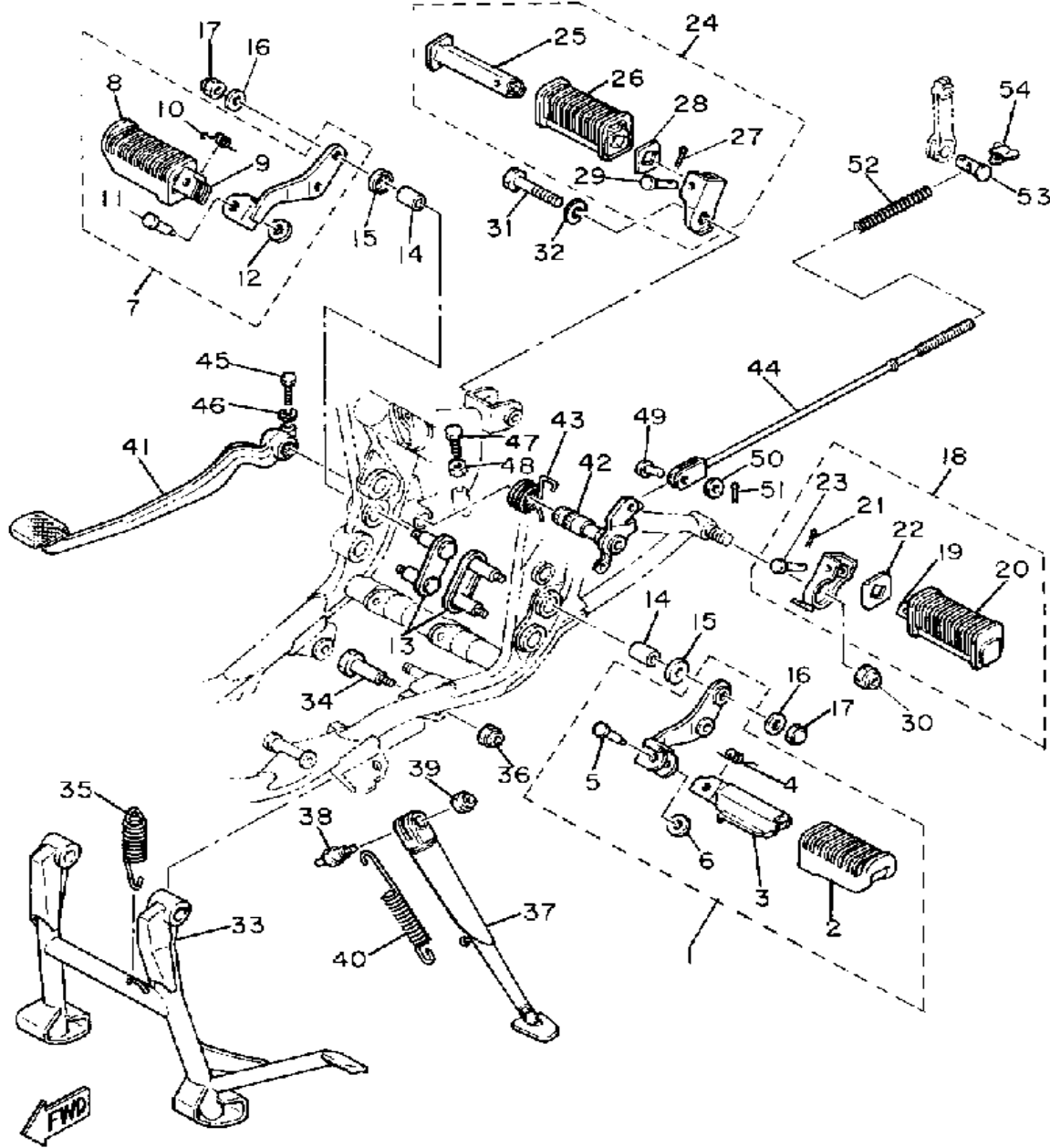
STAND - FOOTREST



Ref. No.	Part Number	Description	Qty	Remarks
1	2J2-27410-01-00	FRT FOOTREST ASSEMBLY L (2J2-27410-00)	1	
2	4L0-27423-00-00	. COVER, FOOTREST	1	
3	3CK-27451-00-00	. FOOTREST	1	
4	90508-20023-00	. SPRING, TORSION	1	
5	90243-08006-00	. PIN	1	
6	90201-06042-00	. WASHER, PLATE	1	
7	2J2-27420-02-00	FRT FOOTREST ASSEMBLY R (2J2-27420-00)	1	
8	4L0-27423-00-00	. COVER, FOOTREST	1	
9	3N6-27461-00-00	. FOOTREST	1	
10	90508-20023-00	. SPRING, TORSION	1	
11	90243-08006-00	. PIN	1	
12	90201-06042-00	. WASHER, PLATE	1	
13	2J2-27416-01-00	BOLT, FOOTREST	2	
14	2J2-27414-01-00	DAMPER, FOOTREST	4	
15	90209-12102-00	WASHER, SPEC'L SHAP	4	
16	92990-08200-00	WASHER, PLAIN	4	
17	95303-08800-00	NUT (CROWN) (95301-08800)	4	
18	2J2-27430-02-00	RR FOOTREST ASSEMBLY 1	1	
19	447-27431-00-00	. FOOTREST, REAR 1	1	
20	1J7-27433-00-00	. COVER, RR FOOTREST	1	
21	91490-16020-00	. PIN, COTTER	1	
22	90209-18070-00	. WASHER, SPECL SHAP	1	
23	91701-06035-00	. PIN, CLEVIS	1	
24	2J2-27440-01-00	RR FOOTREST ASSEMBLY 2	1	
25	447-27441-00-00	. FOOTREST, REAR 2	1	
26	1J7-27444-00-00	. COVER, RR FOOTREST	1	
27	91490-16020-00	. PIN, COTTER	1	

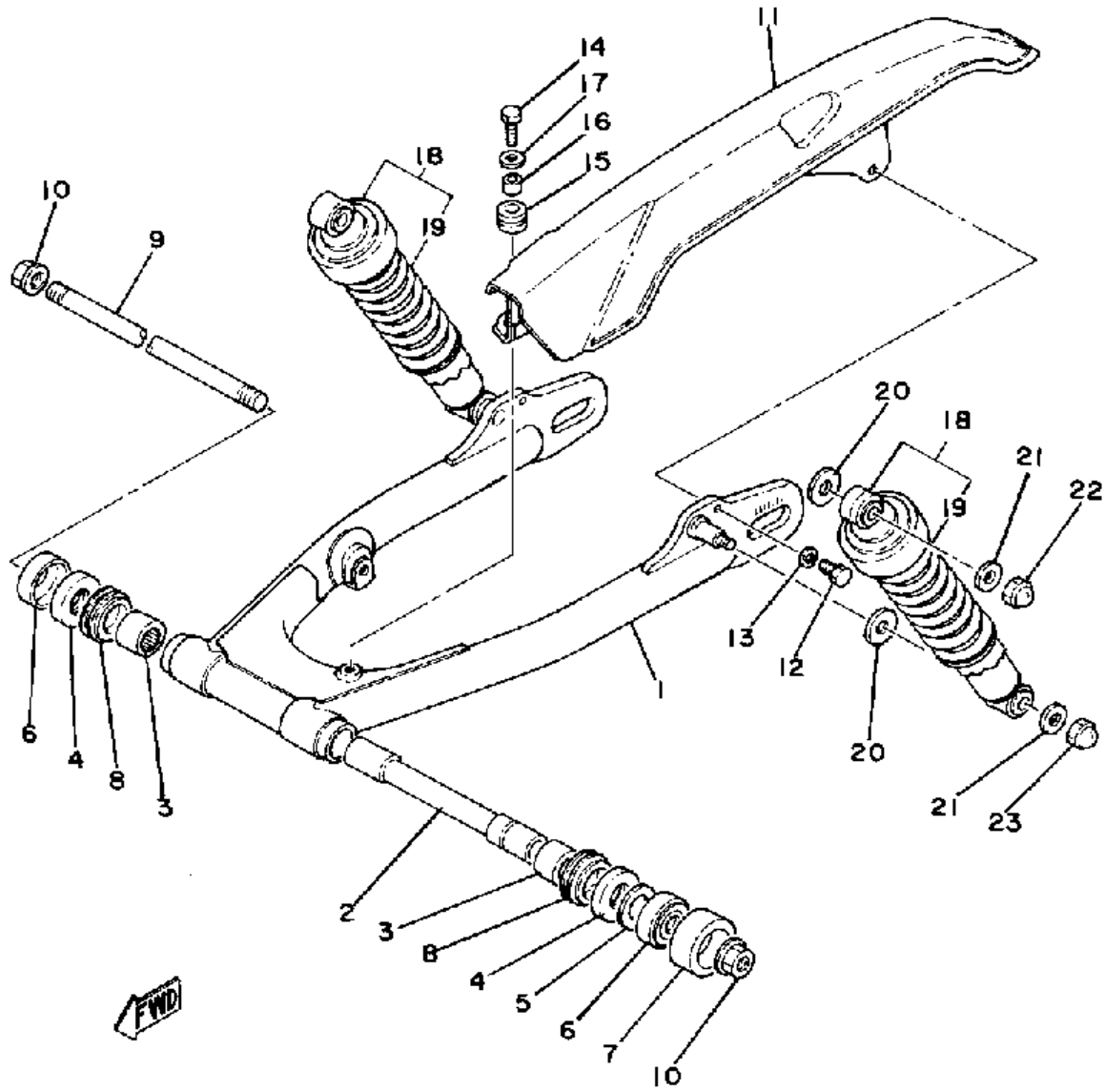
CONTINUED ON NEXT FRAME ►

STAND - FOOTREST



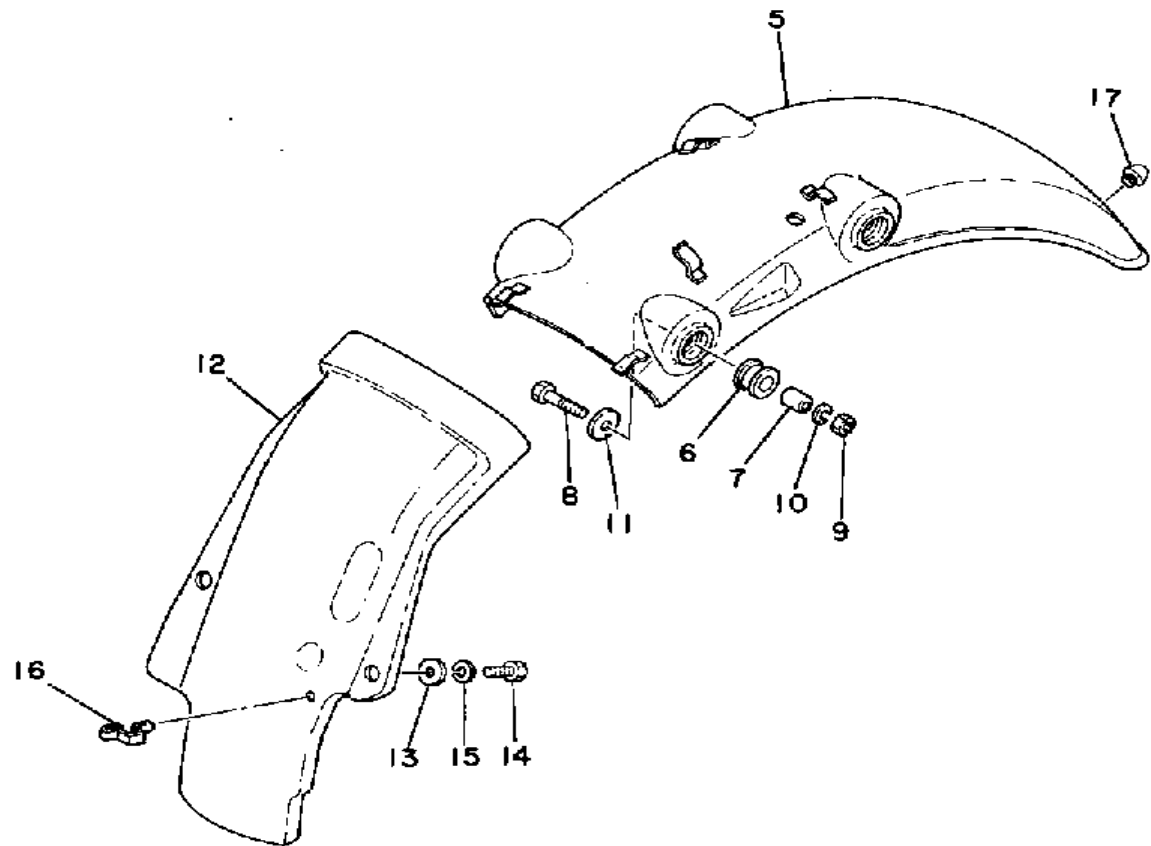
Ref. No.	Part Number	Description	Qty	Remarks
28	90209-18070-00	. WASHER, SPECL SHAP	1	
29	91701-06035-00	. PIN, CLEVIS	1	
30	90185-12046-00	NUT, SELF-LOCKING	1	
31	97021-12050-00	BOLT, HEXAGON	1	
32	92901-12100-00	WASHER, SPRING	1	
33	2J2-27111-00-00	STAND, MAIN	1	
34	90109-10497-00	BOLT	2	
35	90506-40175-00	SPRING, TENSION	1	
36	95601-10100-00	NUT, U (95602-10100-00)	2	
37	1JN-27311-00-00	STAND, SIDE	1	
38	90109-103A1-00	BOLT	1	
39	90185-10037-00	NUT, SELF-LOCKING	1	
40	90506-28146-00	SPRING, TENSION	1	
41	2J2-27211-01-00	PEDAL, BRAKE	1	CHROME PLATED
42	3H0-27212-00-00	SHAFT, BRAKE PEDAL	1	
43	90508-40381-00	SPRING, TORSION	1	
44	3H0-27231-00-00	ROD, BRAKE	1	
45	90109-06468-00	BOLT	1	
46	92995-06100-00	WASHER, SPRING	1	
47	97011-06020-00	BOLT	1	
48	95380-06700-00	NUT	1	
49	90240-08067-00	PIN, CLEVIS	1	
50	90201-08083-00	WASHER, PLATE	1	
51	91490-20020-00	PIN, COTTER	1	
52	90501-10245-00	SPRING, COMPRESSION	1	
53	90249-12008-00	PIN	1	
54	90179-06411-00	NUT	1	

REAR ARM - SUSPENSION

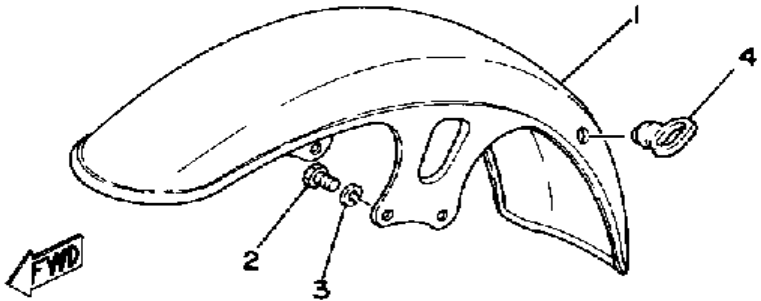


Ref. No.	Part Number	Description	Qty	Remarks
1	3H0-22110-01-00	REAR ARM	1	YAMAHA BLACK
2	483-22124-00-00	BUSH 2	1	
3	93317-22208-00	BEARING, CYLINDER.# 7	2	
4	93342-22205-00	BEARING, FLAT # 2	2	
5	648-45533-00-03	SHIM	1	
6	2K8-22129-00-00	COVER, THRUST 2	2	
7	431-22151-03-00	SEAL, GUARD	1	
8	93108-35004-00	OIL SEAL (35-41-8)	2	
9	33Y-22141-01-00	SHAFT, PIVOT	1	
10	90179-16256-00	NUT, SPEC'L SHAPE	2	
11	2J2-22311-01-00	CASE, CHAIN	1	CHROME PLATED
12	97313-06016-00	BOLT, HEXAGON	1	
13	92995-06100-00	WASHER, SPRING	1	
14	97011-06020-00	BOLT	1	
15	90480-13398-00	GROMMET	1	
16	90387-06216-00	COLLAR	1	
17	90201-06066-00	WASHER, PLATE	1	
18	33Y-22210-00-00	SHK/ABS ASSEMBLY, REAR ..	2	
19	(2J2-22212-02-00)	SPRING	1	
20	90201-14215-00	WASHER, PLATE	4	
21	90201-10696-00	WASHER, plate	4	
22	90176-10009-00	NUT, CROWN	2	
23	90176-10013-00	NUT, CROWN	2	

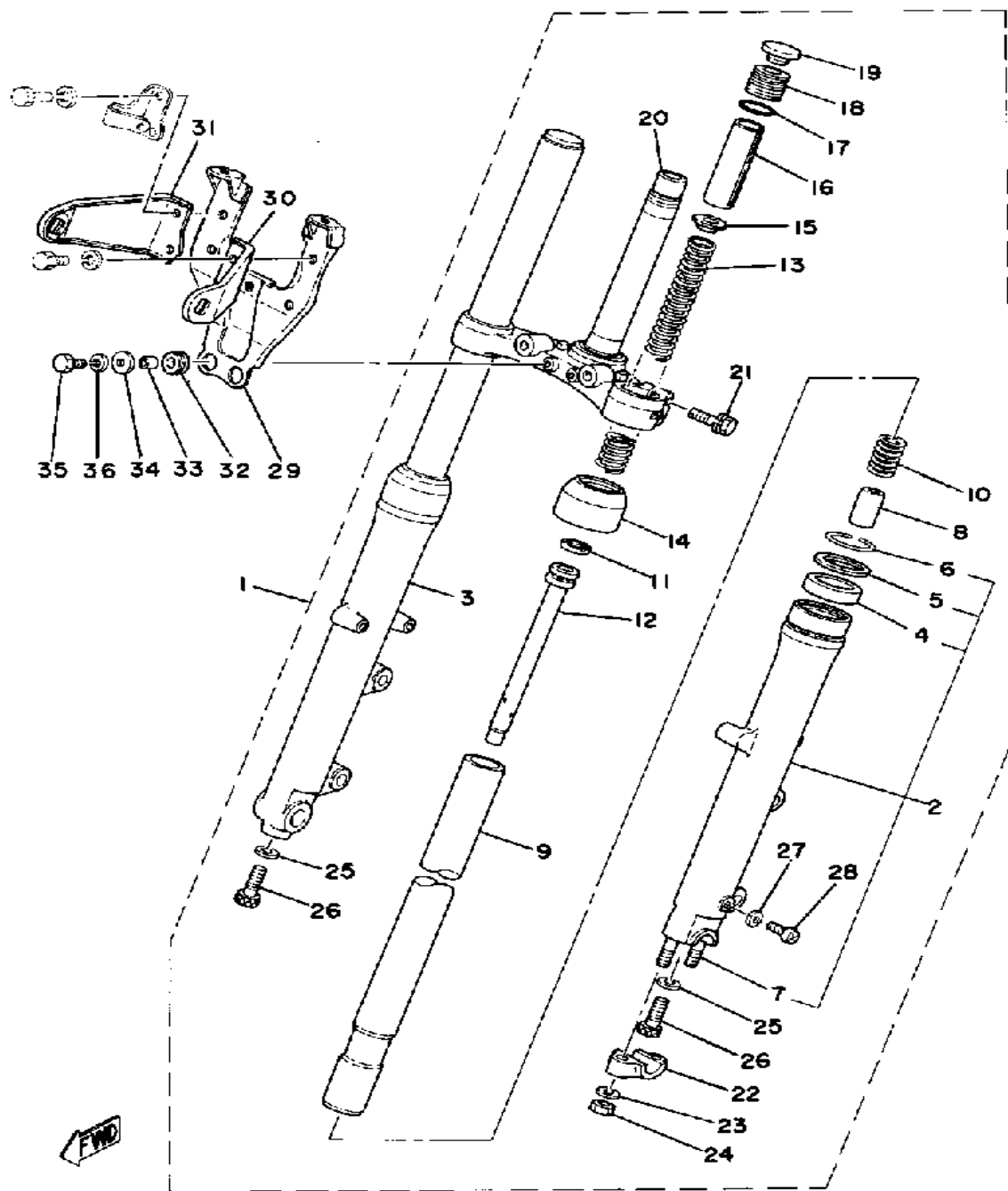
FRONT FENDER - REAR FENDER



Ref. No.	Part Number	Description	Qty	Remarks
1	2J2-21510-00-93	FENDER, FRONT	1	CHROME PLATED
2	97313-08020-00	BOLT, HEXAGON	4	
3	92990-08100-00	WASHER	4	
4	1A0-21518-00-00	HOLDER, CABLE	1	
5	2J2-21610-00-93	FENDER, REAR	1	CHROME PLATED
6	168-21639-00-00	DAMPER 2	4	
7	90387-08258-00	COLLAR	4	
8	97313-08035-00	BOLT, HEXAGON	4	
9	95333-08600-00	NUT	4	
10	92990-08100-00	WASHER	4	
11	90201-08753-00	WASHER, PLATE	4	
12	2J2-21629-01-00	GUARD, MUD	1	
13	90201-06M02-00	WASHER, PLATE	2	
14	97313-06016-00	BOLT, HEXAGON	2	
15	92995-06100-00	WASHER, SPRING	2	
16	90464-08020-00	CLAMP	1	
17	2MG-21639-00-00	DAMPER 2	1	



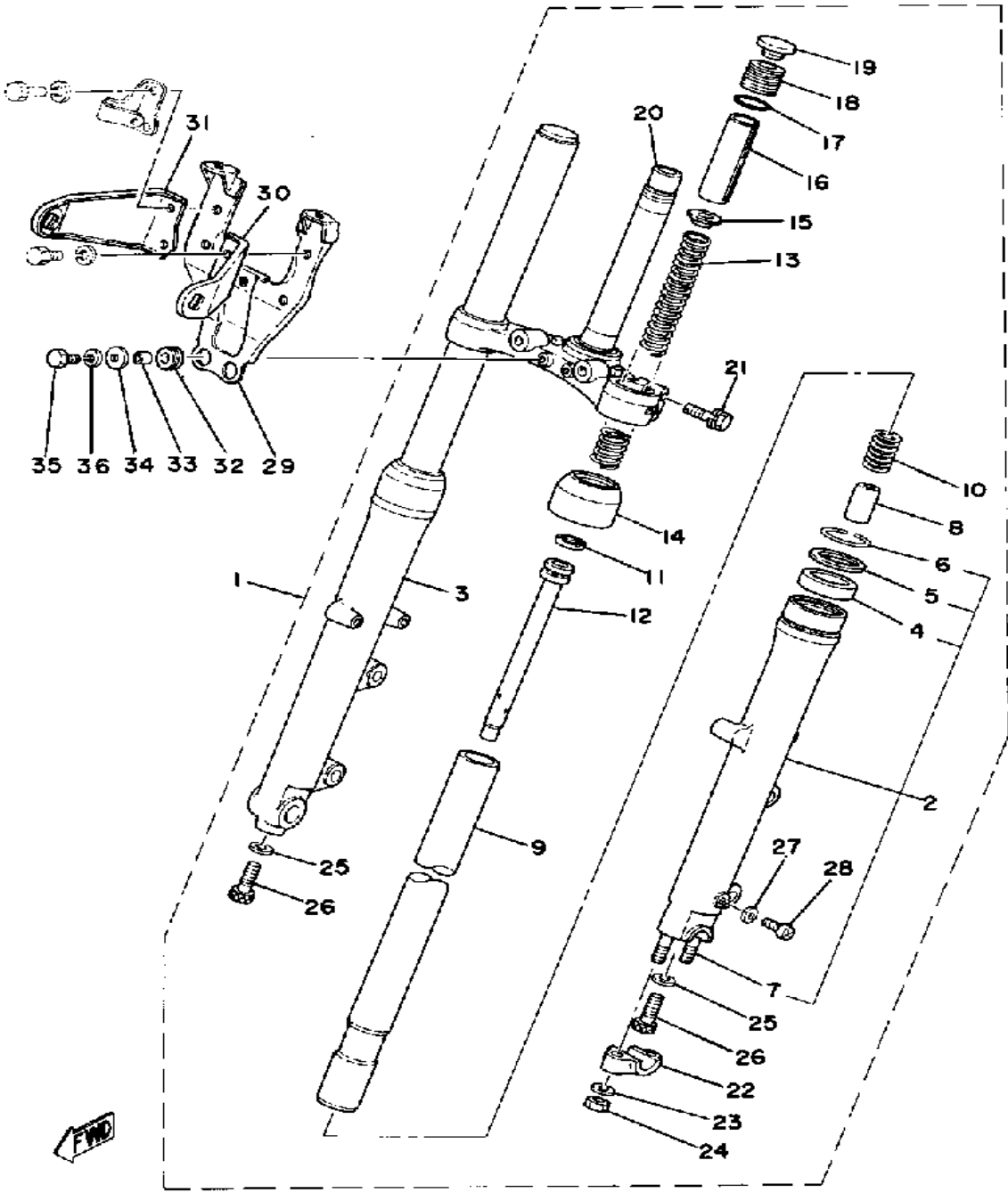
FRONT FORK



Ref. No.	Part Number	Description	Qty	Remarks
1	(2J2-23101-01-00)	FRONT FORK ASSEMBLY	1	
2	2F0-23126-00-00	. TUBE, OUTER 1	1	
3	2F0-23136-00-00	. TUBE, OUTER 2	1	
4	1T3-23145-00-00	.. OIL SEAL	2	
5	341-23146-50-00	.. WASHER, OIL SEAL	2	
6	341-23156-50-00	.. CLIP, OIL SEAL	2	
7	90116-08261-00	.. BOLT, STUD	2	
8	1W1-23173-L0-00	. SPINDLE, TAPER	2	
9	2F0-23110-00-00	. INNER TUBE 1	2	
10	(2F0-23151-00-00)	SPRING, REBOUND	2	
11	2F0-23157-00-00	. RING, PISTON FRTRFRK	2	
12	2F0-23170-00-00	. CYLINDER, FRTRFRK	2	
13	2J2-23141-00-00	. SPRING, FRONT FORK	2	
14	1T3-23144-50-00	. SEAL, DUST	2	
15	256-23142-60-00	. SEAT, SPRING UPPER	2	
16	(33Y-23118-00-00)	SPACER	2	
17	2F0-23114-00-00	. GASKET	2	
18	1T3-23111-50-00	. BOLT, CAP	2	
19	1T3-23168-50-00	. CAP, FRONT FORK	2	
20	2J4-23340-30-33	. UNDER BRACKET	1	
21	18G-23128-00-00	. BOLT, W/WASHER	4	
22	341-23167-50-00	. HOLDER, AXLE	1	
23	92901-08600-00	. WASHER	2	
24	90185-08089-00	. NUT, SELF-LOCKING	2	
25	509-23158-L0-00	. GASKET	2	
26	278-23181-50-00	. BOLT, HEXAGON SOCKET HEAD	2	
27	122-23129-00-00	. GASKET, DRAIN PLUG	2	
28	4H7-23119-00-00	. PLUG, DRAIN - (122-23119-01)	2	

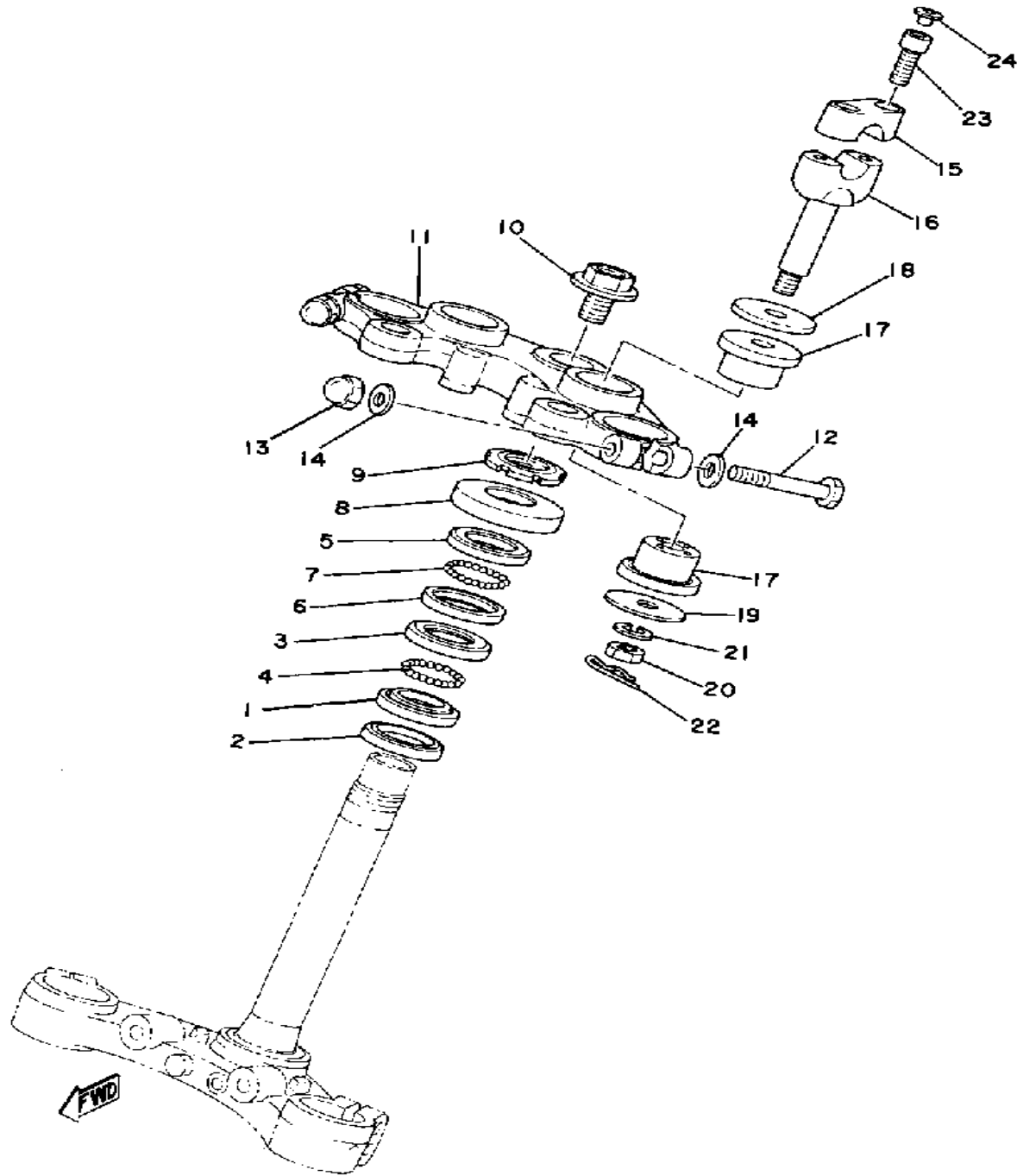
CONTINUED ON NEXT FRAME ►

FRONT FORK



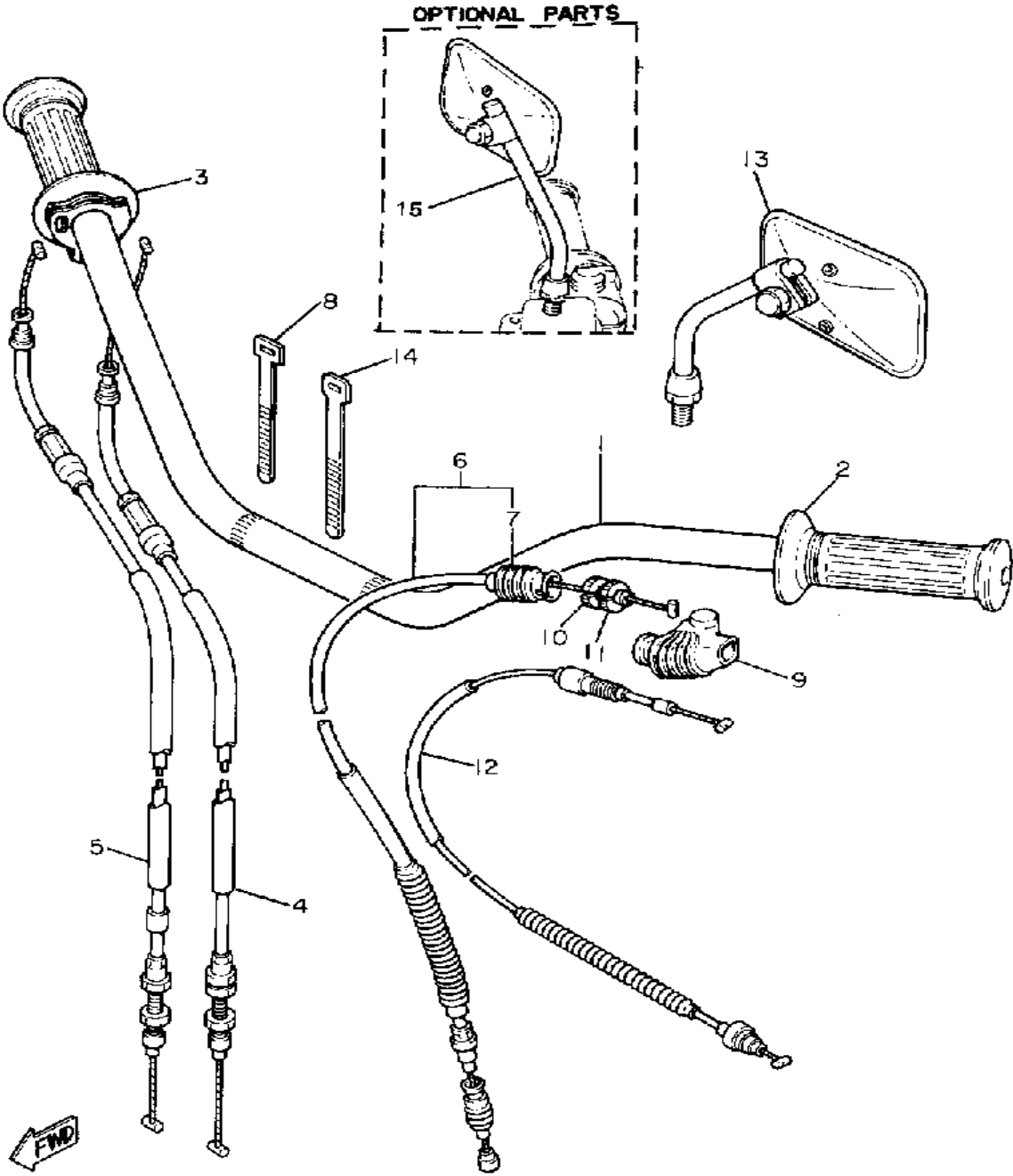
Ref. No.	Part Number	Description	Qty	Remarks
28	98580-04008-00	. SCREW, PAN HEAD	2	
29	(2J2-23121-03-33)	COVER, UPPER 1	1	YAMAHA BLACK
30	2J2-23131-01-93	COVER, UPPER 2	1	CHROME PLATED
31	2J2-23174-01-93	STAY, HEADLIGHT	1	CHROME PLATED
32	90480-14052-00	GROMMET	2	
33	90387-06216-00	COLLAR	2	
34	90201-06067-00	WASHER, PLATE	2	
35	97011-06020-00	BOLT	2	
36	92995-06100-00	WASHER, SPRING	2	

STEERING



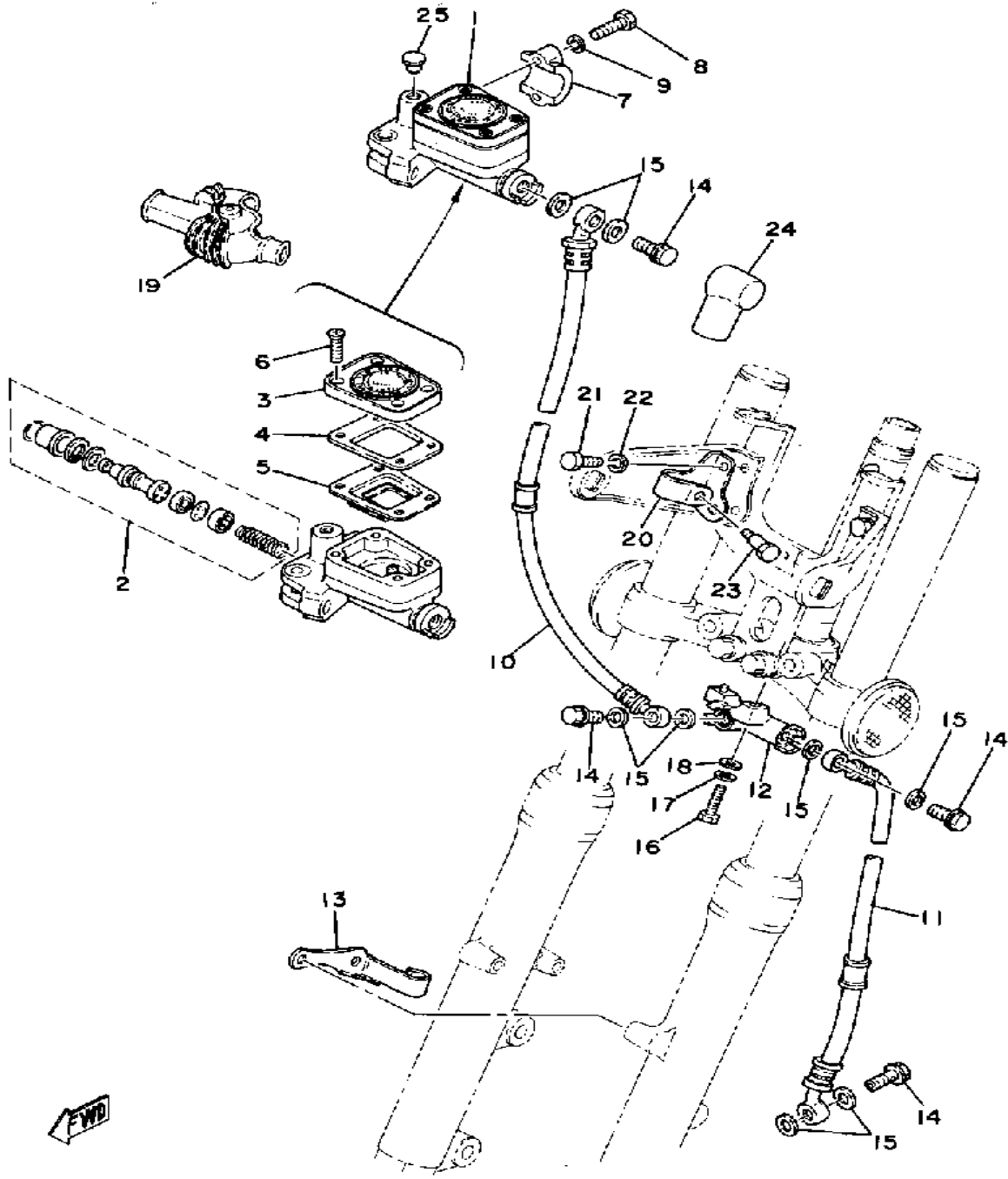
Ref. No.	Part Number	Description	Qty	Remarks
1	156-23411-00-00	RACE, BALL 1	1	
2	164-23462-00-00	SEAL, STEERING	1	
3	156-23412-00-00	RACE, BALL 2	1	
4	93501-04011-00	BALL	19	
5	22F-23411-01-00	RACE, BALL 1	1	
6	22F-23412-01-00	RACE, BALL 2	1	
7	93503-16010-00	BALL	22	
8	10V-23416-01-00	COVER, BALL RACE 2	1	
9	90179-25033-00	NUT	1	
10	90105-14102-00	BOLT, WASHER BASED	1	
11	(2J2-23435-00-98)	CROWN, HANDLE	1	LOW GLOSS BLK
12	97313-08055-00	BOLT, HEXAGON	2	
13	95303-08800-00	NUT (CROWN) (95301-08800)	2	
14	92901-08600-00	WASHER	4	
15	360-23441-01-98	HOLDER, HANDLE UPR	2	LOW GLOSS BLK
16	1E6-23442-00-00	HOLDER, HANDLE LWR	2	
17	1T4-23434-00-00	HOLDER, DAMPER	4	
18	90209-12151-00	WASHER, SPEC'L SHAP	2	
19	90201-10149-00	WASHER, PLATE	2	
20	95303-10700-00	NUT	2	
21	92990-10100-00	WASHER, SPRING	2	
22	90468-12006-00	CLIP	2	
23	91316-08025-00	BOLT, SOCKET HEAD	4	
24	341-23469-00-00	CAP, BOLT	4	

HANDLEBAR - CABLE



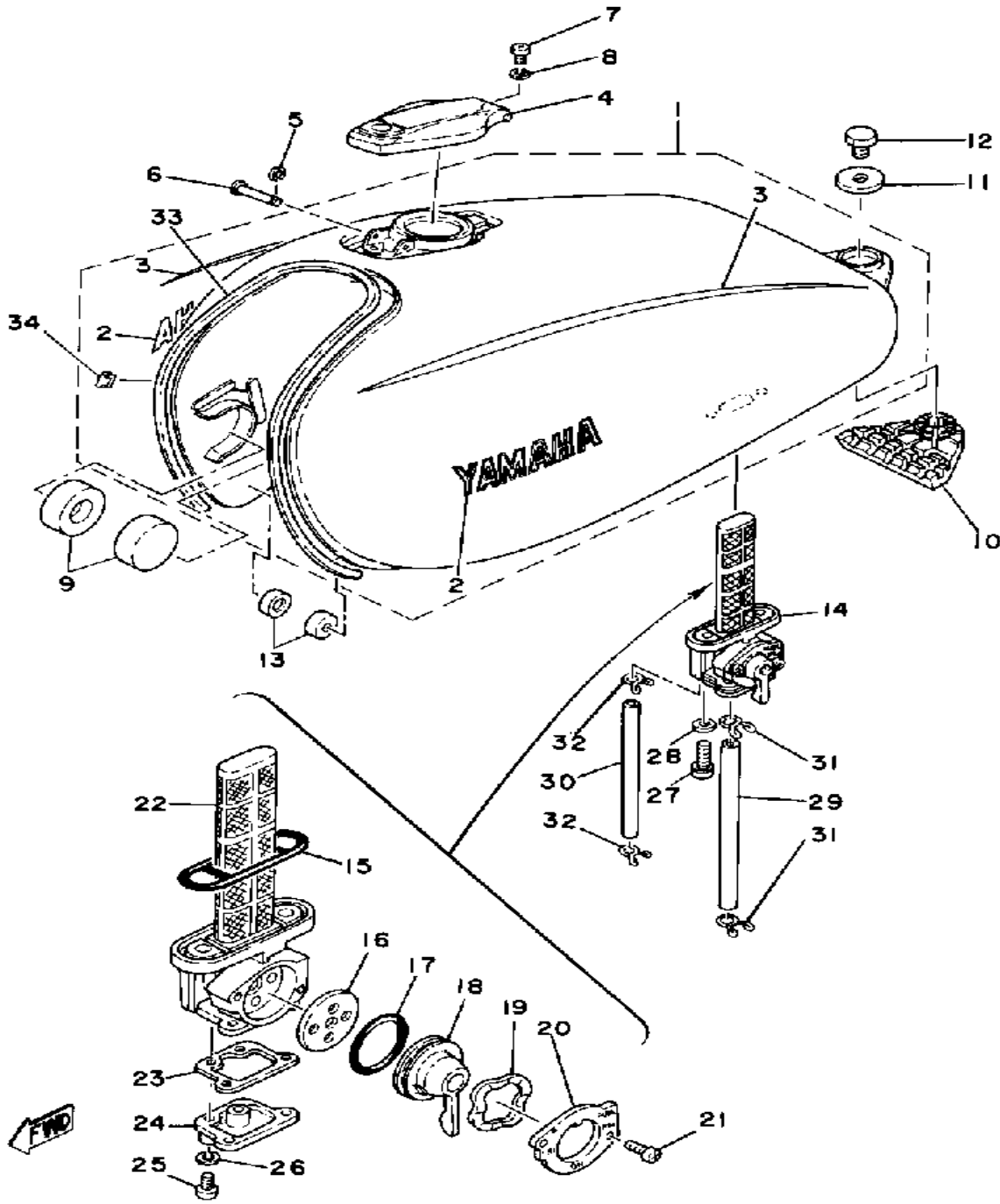
Ref. No.	Part Number	Description	Qty	Remarks
1	1J7-26111-00-00	HANDLEBAR	1	
2	2H7-26241-00-00	GRIP LH	1	
3	2J2-26240-00-00	GRIP ASSEMBLY RH	1	
4	2J2-26311-10-00	CABLE, THROTTLE 1	1	
5	2J2-26312-10-00	CABLE, THROTTLE 2	1	
6	2J2-26335-01-00	CABLE, CLUTCH	1	
7	1E6-26342-00-00	. BOOT, CABLE	1	
8	341-26397-01-00	BAND	1	
9	1E6-26372-00-00	COVER, HANDLE LEVER 1 ...	1	
10	90123-08046-00	BOLT	1	
11	90179-08148-00	NUT	1	
12	2J2-26331-01-00	CABLE, STARTER 1	1	
13	2G2-26290-10-00	MIRROR ASSEMBLY LH	1	
14	437-83936-01-00	BAND, SWITCH CORD	4	
15	2G2-26290-00-00	MIRROR ASSEMBLY RH	1	

FRONT MASTER CYLINDER



Ref. No.	Part Number	Description	Qty	Remarks
1	1J3-25850-02-00	MSTR CYLINDER ASSEMBLY	1	
2	535-W0041-60-00	. CYLINDER KIT, MASTER	1	
3	1J3-25852-01-00	. CAP, RESERVOIR	1	
4	1J3-25855-01-00	. BUSH, DIAPHRAGM	1	
5	1J3-25854-01-00	. DIAPHRAGM RESERVOR	1	
6	98706-05035-00	. SCREW, FLAT HEAD	4	
7	1J3-25867-00-00	BRACKET, MASTER CYLINDER (341-25867-00)	1	
8	97313-06025-00	BOLT, HEXAGON	2	
9	92995-06100-00	WASHER, SPRING	2	
10	2J2-25872-01-00	HOSE, BRAKE 1	1	
11	2J2-25873-00-00	HOSE, BRAKE 2	1	
12	(2J2-25885-01-00)	JOINT	1	
13	1J3-25876-02-00	HOLDER, BRKE HOSE 2	1	
14	90401-10034-00	BOLT, UNION	4	
15	90201-10118-00	WASHER, PLATE	8	
16	97011-06025-00	BOLT (97001-06025)	1	
17	92995-06100-00	WASHER, SPRING	1	
18	92901-06600-00	WASHER	1	
19	1T5-26372-00-00	COVER, HANDLE LEVER	1	
20	(2J2-25876-00-00)	HOLDER, BRKE HOSE 2	1	
21	97013-06012-00	BOLT	3	
22	92995-06100-00	WASHER, SPRING	3	
23	90109-06005-00	BOLT	1	
24	360-25862-00-00	BOOT, MASTER CYLINDER	1	
25	90338-09012-00	PLUG	1	

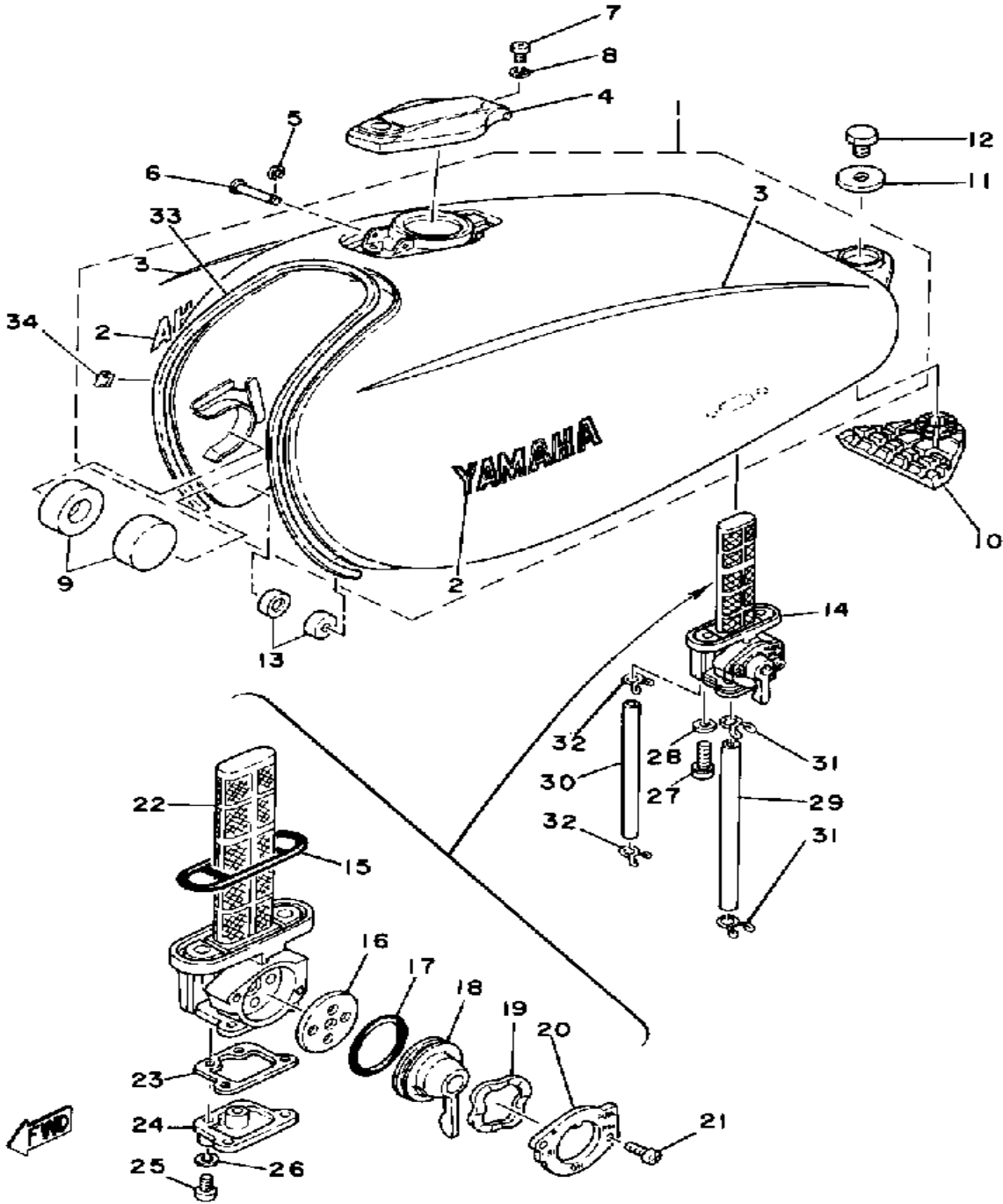
FUEL TANK



Ref. No.	Part Number	Description	Qty	Remarks
1	(2J2-24110-01-X6)	FUEL TANK	1	
2	2F3-24161-20-00	. EMBLEM 1	2	
3	(3H1-24244-00-00)	GRAPHIC, FUEL TNK 1	2	
4	4R0-24602-01-00	CAP ASSEMBLY	1	
5	93430-02001-00	CIRCLIP	1	
6	90249-03123-00	PIN, SPEC'L SHAPE	1	
7	98580-05010-00	SCREW, PAN HEAD	1	
8	92990-05100-00	WASHER, SPRING	1	
9	2J2-24181-00-00	DAMPER, LOCATING 1	2	
10	1J7-24182-01-00	DAMPER, LOCATING 2	1	
11	90209-08098-00	WASHER, SPEC'L SHAP	1	
12	97313-08012-00	BOLT	1	
13	2J2-24183-01-00	DAMPER, LOCATING 3 (2J2-24183-00)	2	
14	2J2-24500-01-00	FUEL COCK ASSEMBLY 1	1	
15	1J7-24512-00-00	. GASKET	1	
16	1J7-24523-00-00	. VALVE	1	
17	1J7-24534-00-00	. SEAL, COCK	1	
18	1J7-24524-00-00	. LEVER, COCK	1	
19	1J7-24518-00-00	. WASHER, WAVE	1	
20	1J7-24525-00-00	. PLATE, LVR FITTING	1	
21	98501-03010-00	. SCREW, PAN HEAD	2	
22	1J7-24514-02-00	. NET, FILTER 1	1	
23	1J7-24522-00-00	. GASKET	1	
24	(1L9-24521-00-00)	CUP, FILTER	1	
25	98511-04012-00	. SCREW, PAN HEAD	4	
26	92901-04100-00	. WASHER, SPRING	4	
27	90149-06008-00	SCREW	2	
28	90202-05187-00	WASHER, PLATE	2	

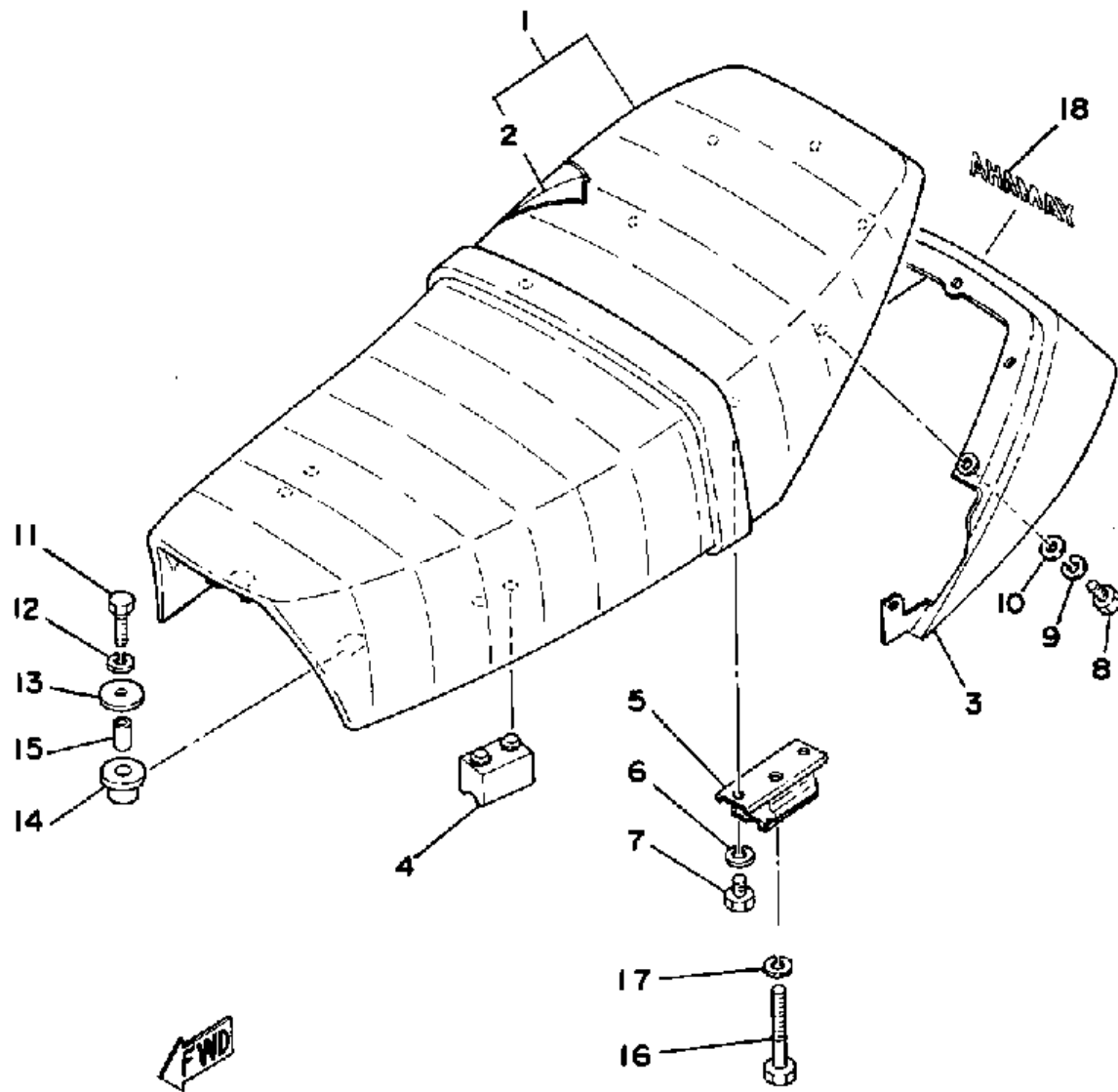
CONTINUED ON NEXT FRAME ►

FUEL TANK



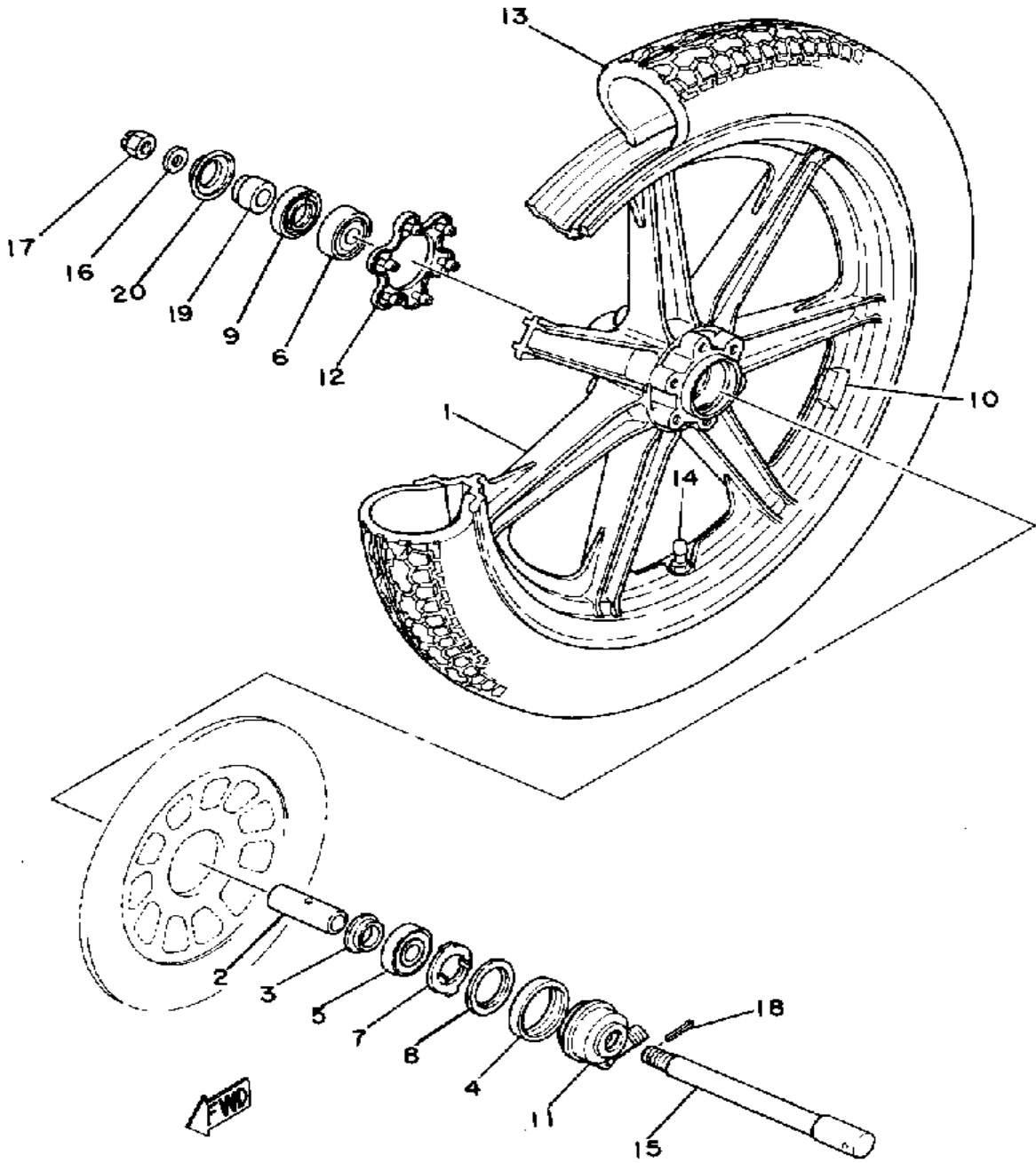
Ref. No.	Part Number	Description	Qty	Remarks
29	90445-10137-00	HOSE (810-24315-00)	1	
30	(90445-09497-00)	HOSE	1	
31	90467-09006-00	CLIP	2	
32	90467-08003-00	CLIP	2	
33	3EB-24189-00-00	PLATE, MOLD	1	
34	90468-03063-00	CLIP	6	

SEAT



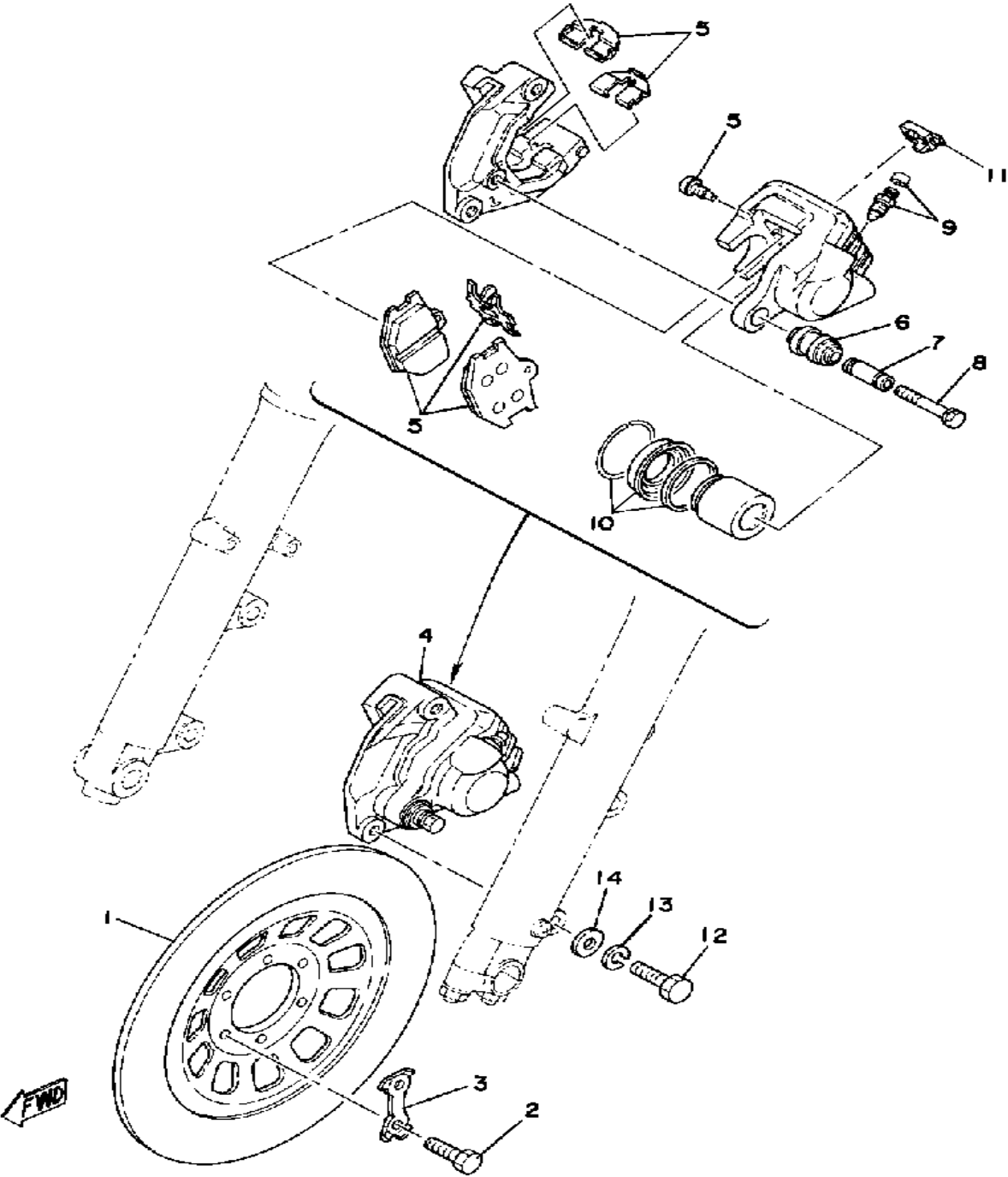
Ref. No.	Part Number	Description	Qty	Remarks
1	2J2-W2472-01-00	DOUBLE SEAT ASSEMBLY (2J2-24730-91)	1	
2	2J2-24731-00-00	COVER, DOUBLE SEAT	1	
3	2J2-24756-00-7J	COVER, TAIL	1	NEW RUBY RED
4	2J2-24723-00-00	DAMPER, SEAT	2	
5	2J2-24724-01-00	DAMPER, SEAT	2	
6	92995-06100-00	WASHER, SPRING	4	
7	97011-06010-00	BOLT	4	
8	97313-05012-00	BOLT, HEXAGON	7	
9	92990-05100-00	WASHER, SPRING	7	
10	92901-05600-00	WASHER, PLATE	7	
11	97021-06030-00	BOLT	2	
12	92995-06100-00	WASHER, SPRING	2	
13	90201-06075-00	WASHER, PLATE	2	
14	2J2-24737-00-00	DAMPER, SEAT	2	
15	90387-06554-00	COLLAR	2	
16	90101-08439-00	BOLT	2	
17	92990-08100-00	WASHER	2	
18	99235-00025-00	EMBLEM, YAMAHA	1	

FRONT WHEEL



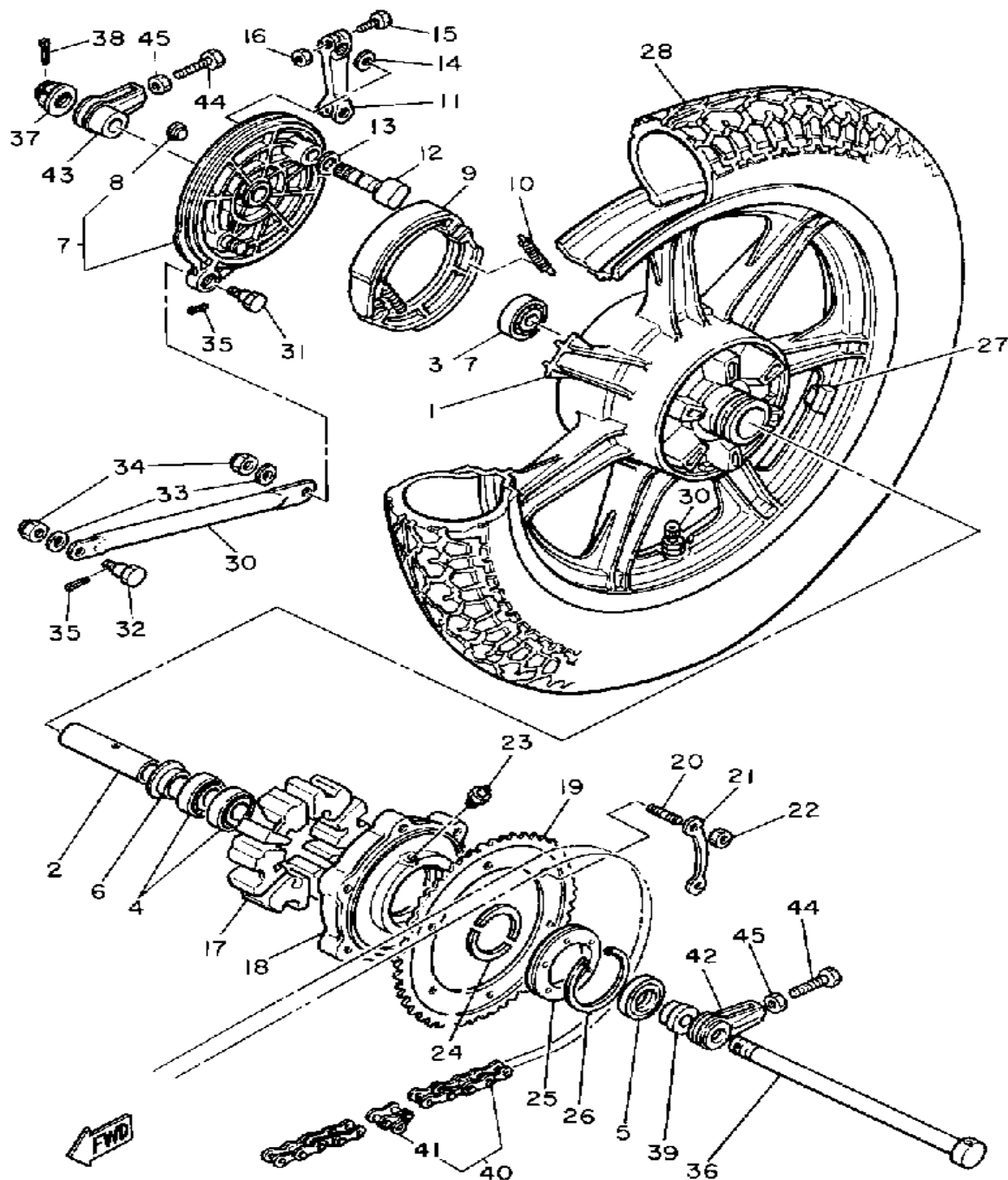
Ref. No.	Part Number	Description	Qty	Remarks
1	(2M1-25168-20-00)	WHEEL, CAST FRONT 0 0	1	
2	90560-17126-00	SPACER	1	
3	146-25315-00-00	FLANGE, SPACER	1	
4	93105-45017-00	OIL SEAL	1	
5	93306-30309-00	BEARING	1	
6	93306-30309-00	BEARING	1	
7	341-25149-00-00	CLUTCH, METER	1	
8	341-25846-00-00	RETAINER, CLUTCH	1	
9	93102-28022-00	OIL SEAL	1	
10	1A1-25398-01-00	BALANCER, WHEEL	1	UN
	1A1-25399-00-00	BALANCER, WHEEL	1	UN
	2M0-25399-00-00	BALANCER, WHEEL	1	UN
11	341-25190-01-00	GEAR UNIT ASSEMBLY	1	
12	1U4-25847-00-00	COVER, HOUSING	1	
13	(94135-19410-00)	350S19BSG503TBLS	1	
14	93900-00001-00	VALVE, RIM	1	
15	341-25181-01-00	AXLE, WHEEL	1	
16	92990-14200-00	WASHER, PLAIN	1	
17	90171-14020-00	NUT, CASTLE	1	
18	91401-30030-00	PIN, COTTER	1	
19	90387-17433-00	COLLAR	1	
20	341-25118-00-00	COVER, hub dust	1	

FRONT BRAKE CALIPER



Ref. No.	Part Number	Description	Qty	Remarks
1	2H7-25831-00-00	DISC, BRAKE	1	
2	90101-08312-00	BOLT	6	
3	1J3-25834-01-00	WASHER, LOCK	3	
4	(1L9-25810-14-00)	CALIPER ASSEMBLY LH	1	
5	4K0-W0045-01-00	. BRAKE PAD KIT, FRNT	1	
6	1J3-25917-00-00	. BOOT, CALIPER	1	
7	1J3-25838-00-00	. SLEEVE, CALIPER	1	
8	90105-08145-00	. BOLT, WASHER BASED	1	
9	1J3-W0048-00-00	. BLEED SCREW KIT	1	
10	1J3-W0047-00-00	. CALIPER SEAL KIT	1	
11	1J3-25845-01-00	. CAP, INDICATOR	1	
12	90105-10638-00	BOLT, WASHER BASED	2	
13	92990-10100-00	WASHER, SPRING	2	
14	92990-10200-00	WASHER, PLAIN	2	

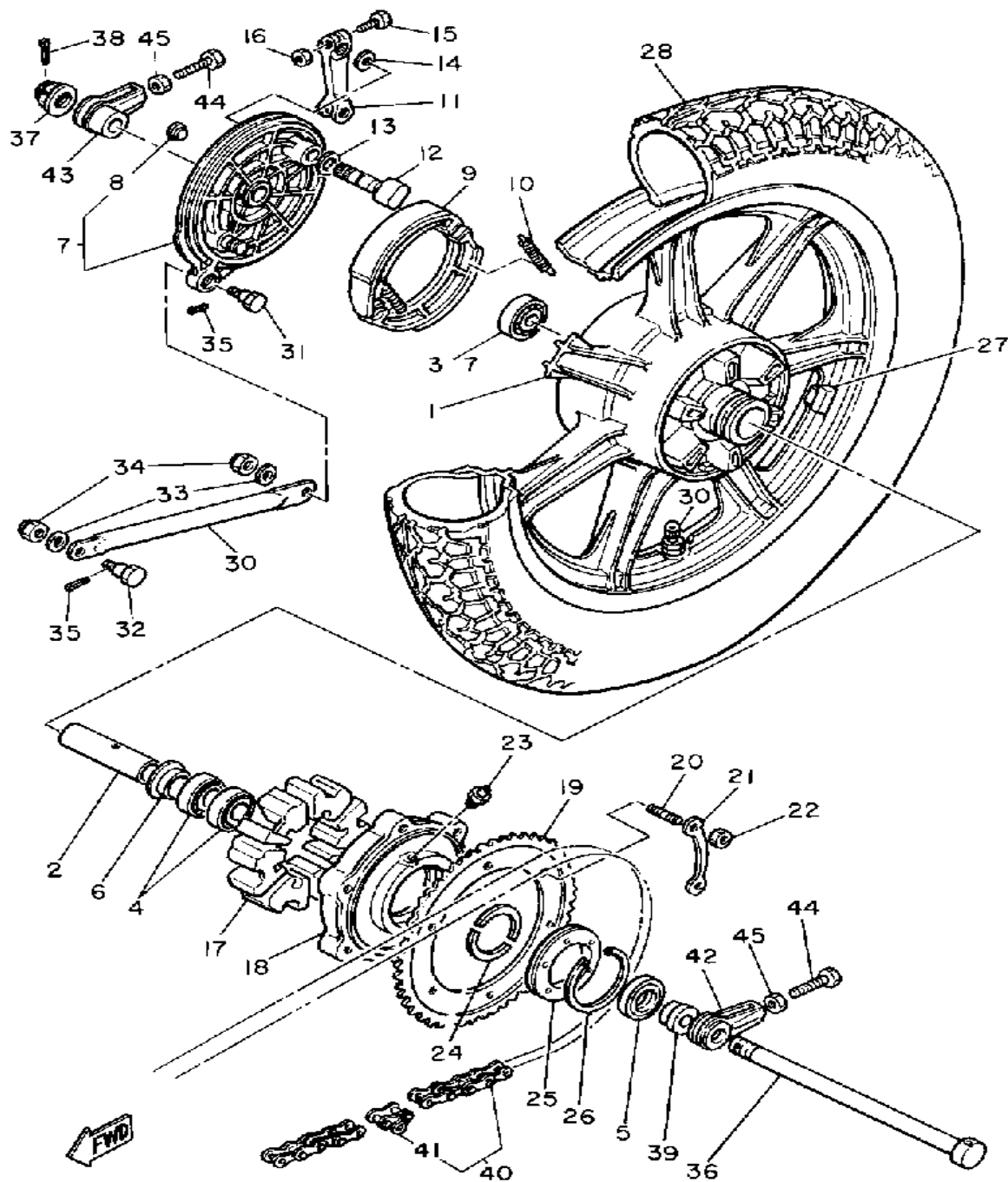
REAR WHEEL



Ref. No.	Part Number	Description	Qty	Remarks
1	(3H1-25338-00-98)	WHEEL, CAST REAR	1	
2	90560-17311-00	SPACER	1	
3	93306-20319-00	BEARING	1	
	93306-20320-00	BEARING	1	
4	93306-20310-00	BEARING	2	
5	93102-25061-00	OIL SEAL, SD-TYPE	1	
6	146-25315-00-00	FLANGE, SPACER	1	
7	1E6-25321-12-98	BRAKE SHOE PLT ASSEMBLY	1	LOW GLOSS BLK
8	90480-10068-00	. GROMMET	1	
9	214-W2535-00-00	BRAKESHOE SET-2PCS	2	
10	90507-20002-00	SPRING, TENSION	2	
11	42X-25355-00-00	LEVER, CAMSHAFT	1	
12	4L0-25351-00-00	CAMSHAFT	1	
13	148-25353-00-00	SHIM, CAMSHAFT	1	
14	148-25359-00-00	SEAL, CAMSHAFT	1	
15	90101-06278-00	BOLT	1	
16	95380-06700-00	NUT	1	
17	2J2-25364-00-00	DAMPER	6	
18	1E6-25366-00-98	CLUTCH, HUB	1	LOW GLOSS BLK
19	2J2-25444-10-00	SPROCKET, DRIVN 44T	1	
20	90116-08218-00	BOLT, STUD	6	
21	583-25412-00-00	WASHER	3	
22	90170-08193-00	NUT, HEXAGON	6	
23	93700-06M03-00	NIPPLE, GREASE	1	
24	1E6-25318-00-00	STOPPER, HUB	2	
25	1E6-25319-01-00	SEAL, HUB DUST	1	
26	93450-78080-00	CIRCLIP, INNER	1	
27	1A1-25398-01-00	BALANCER, WHEEL	1	UR
	1A1-25399-00-00	BALANCER, WHEEL	1	UR

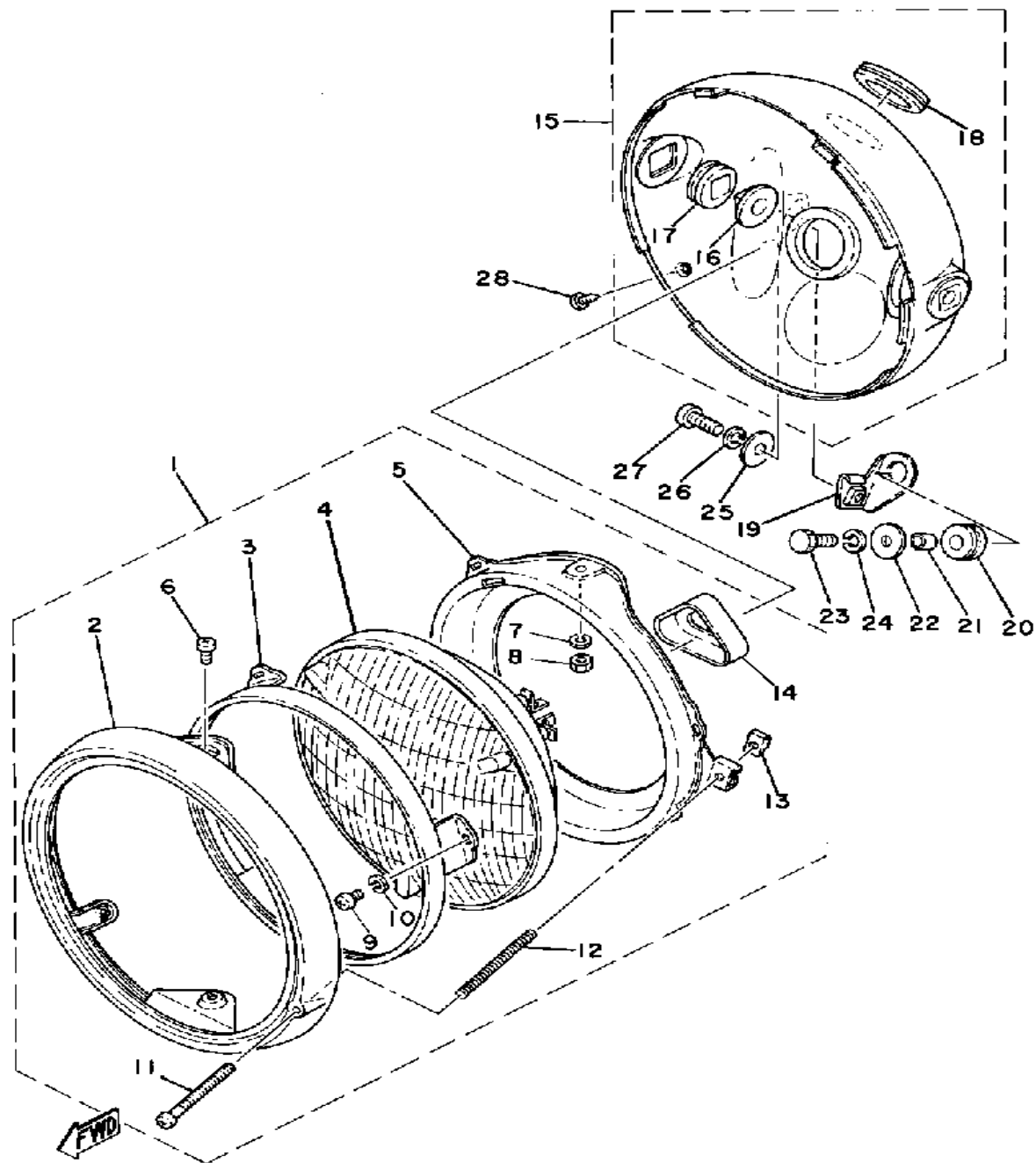
CONTINUED ON NEXT FRAME ►

REAR WHEEL



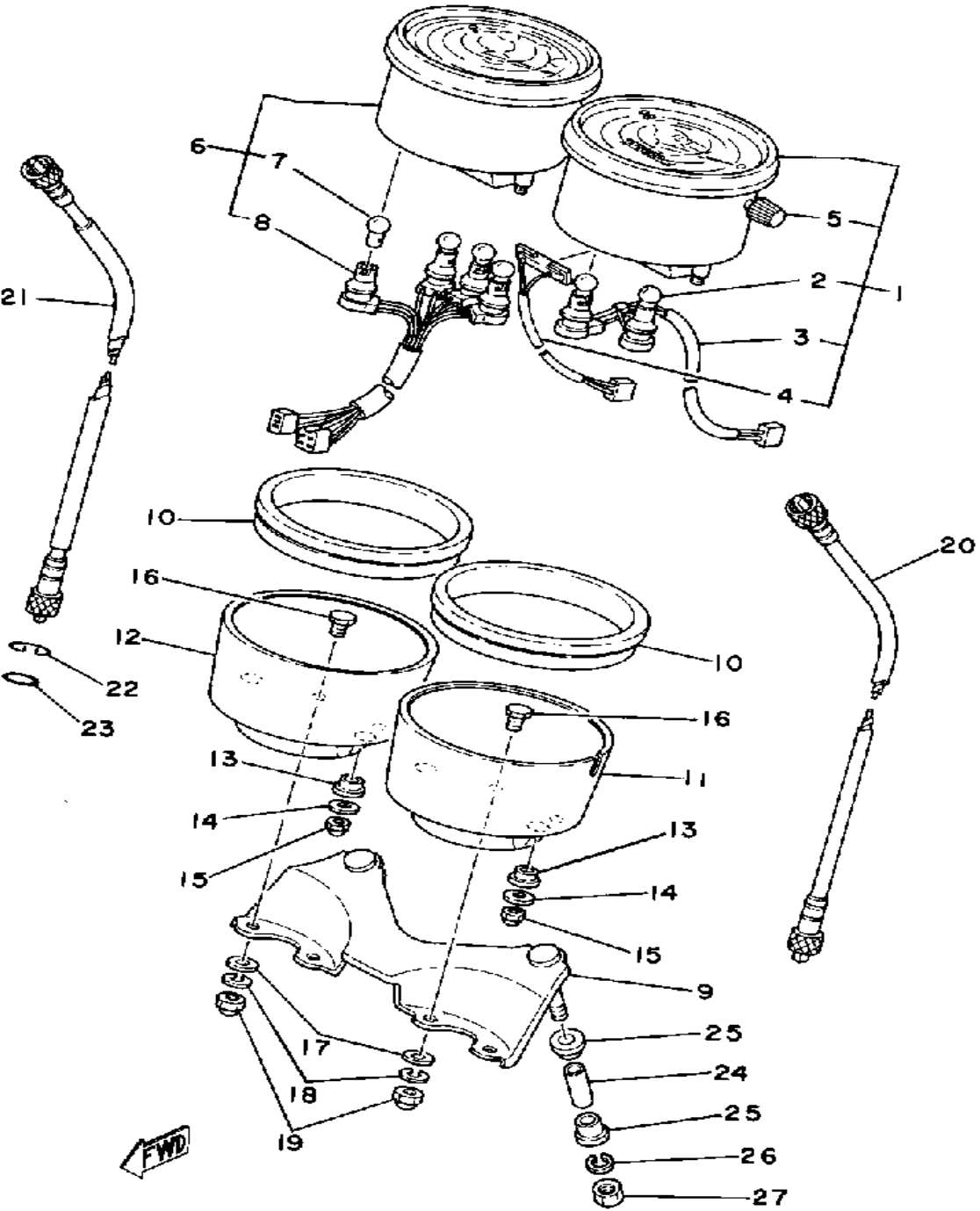
Ref. No.	Part Number	Description	Qty	Remarks
27	2M0-25399-00-00	BALANCER, WHEEL	1	UR
28	(94140-18411-00)	400S18 G503TL	1	
29	(94140-18411-00)	400S18 G503TL	1	
30	3H0-25371-00-00	BAR, TENSION	1	
31	90109-08406-00	BOLT	1	
32	90109-08368-00	BOLT	1	
33	92990-08200-00	WASHER, PLAIN	2	
34	90185-08055-00	NUT, SELF-LOCKING	2	
35	91490-20020-00	PIN, COTTER	2	
36	150-25381-00-00	AXLE, WHEEL	1	
37	90171-16024-00	NUT, CASTLE	1	
38	91401-30030-00	PIN, COTTER	1	
39	90387-17530-00	COLLAR	1	
40	94580-05104-00	50HDS-104L	1	
41	94680-20011-00	. JOINT CHAIN	1	
42	48U-25388-00-00	PULLER, CHAIN 1	1	
43	341-25389-00-00	PULLER, CHAIN 2	1	
44	90101-08699-00	BOLT	2	
45	95303-08700-00	NUT	2	

HEADLIGHT



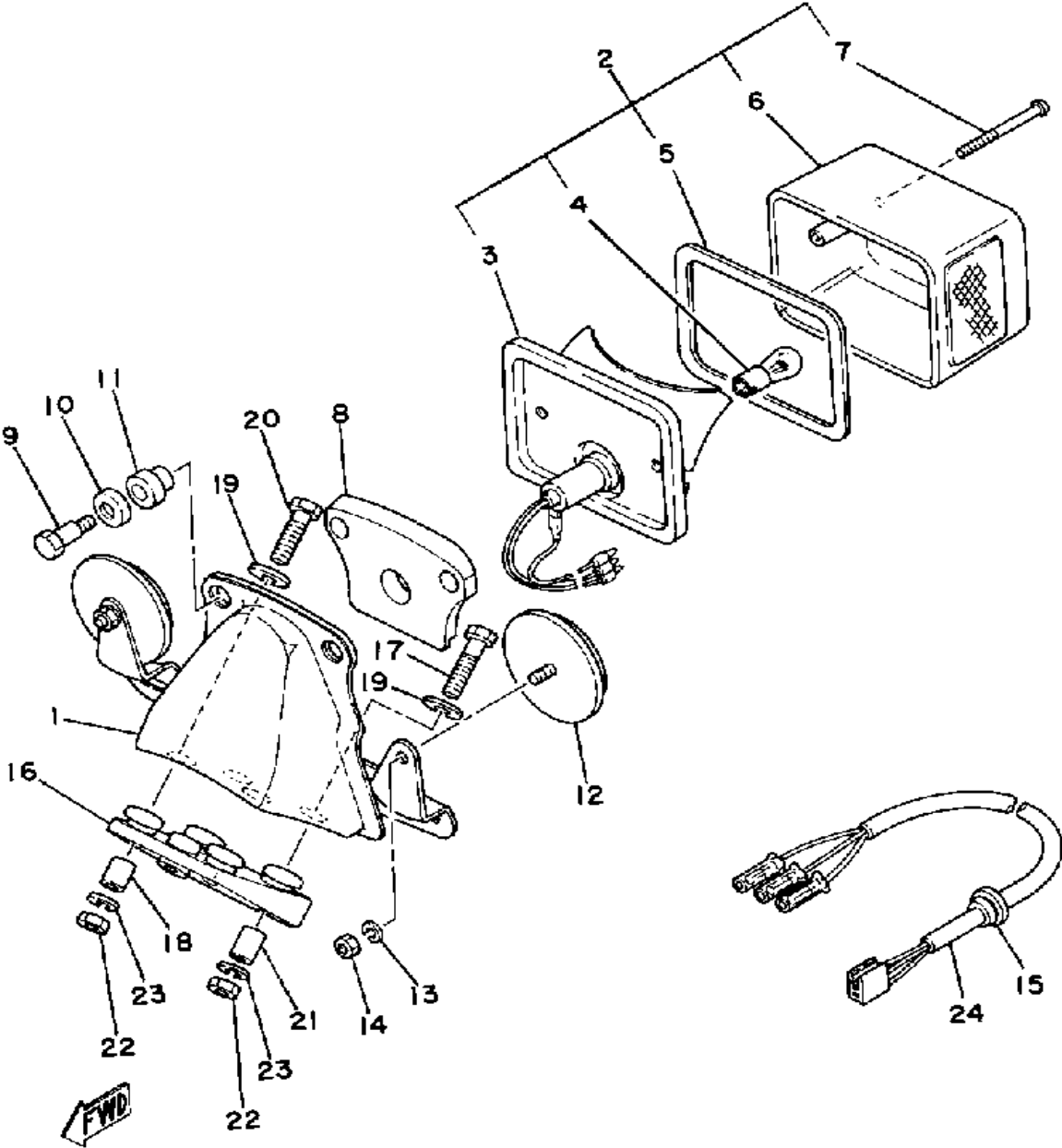
Ref. No.	Part Number	Description	Qty	Remarks
1	2J2-84310-60-00	HEADLIGHT UNIT ASSEMBLY	1	
2	341-84315-40-00	. RIM, HEADLIGHT	1	
3	2F9-84395-00-00	. RING, RETAINING	1	
4	341-84320-60-00	. LENS ASSEMBLY	1	
5	2F9-84394-00-00	. RING, MOUNTING	1	
6	98580-05010-00	. SCREW, PAN HEAD	2	
7	92990-05100-00	. WASHER, SPRING	2	
8	95380-05600-00	. NUT	2	
9	98580-04008-00	. SCREW, PAN HEAD	3	
10	92901-04100-00	. WASHER, SPRING	3	
11	98580-04055-00	. SCREW, LENS FITTING	1	
12	341-84332-60-00	. SPRING, SCREW	1	
13	198-84334-60-00	. NUT, ADJUSTING	1	
14	341-84397-61-00	. COVER, SOCKET	1	
15	1JK-84330-00-93	BODY ASSEMBLY	1	CHROME PLATED
16	584-84338-60-00	. COLLAR, BODY FTNG	2	
17	584-84345-60-00	. DAMPER, HEADLIGHT	2	
18	214-84153-60-00	. GROMMET, WIREHERNESS	3	
19	2J2-84318-00-00	STAY, HEADLIGHT 1	1	
20	90480-14052-00	GROMMET	1	
21	90387-06216-00	COLLAR	1	
22	90201-06067-00	WASHER, PLATE	1	
23	97011-06025-00	BOLT (97001-06025)	1	
24	92995-06100-00	WASHER, SPRING	1	
25	90201-06067-00	WASHER, PLATE	1	
26	92995-06100-00	WASHER, SPRING	1	
27	98580-06010-00	SCREW, PAN HEAD (92503-06010)	1	
28	90152-05005-00	SCREW, COUNTERSUNK	2	

SPEEDOMETER - TACHOMETER



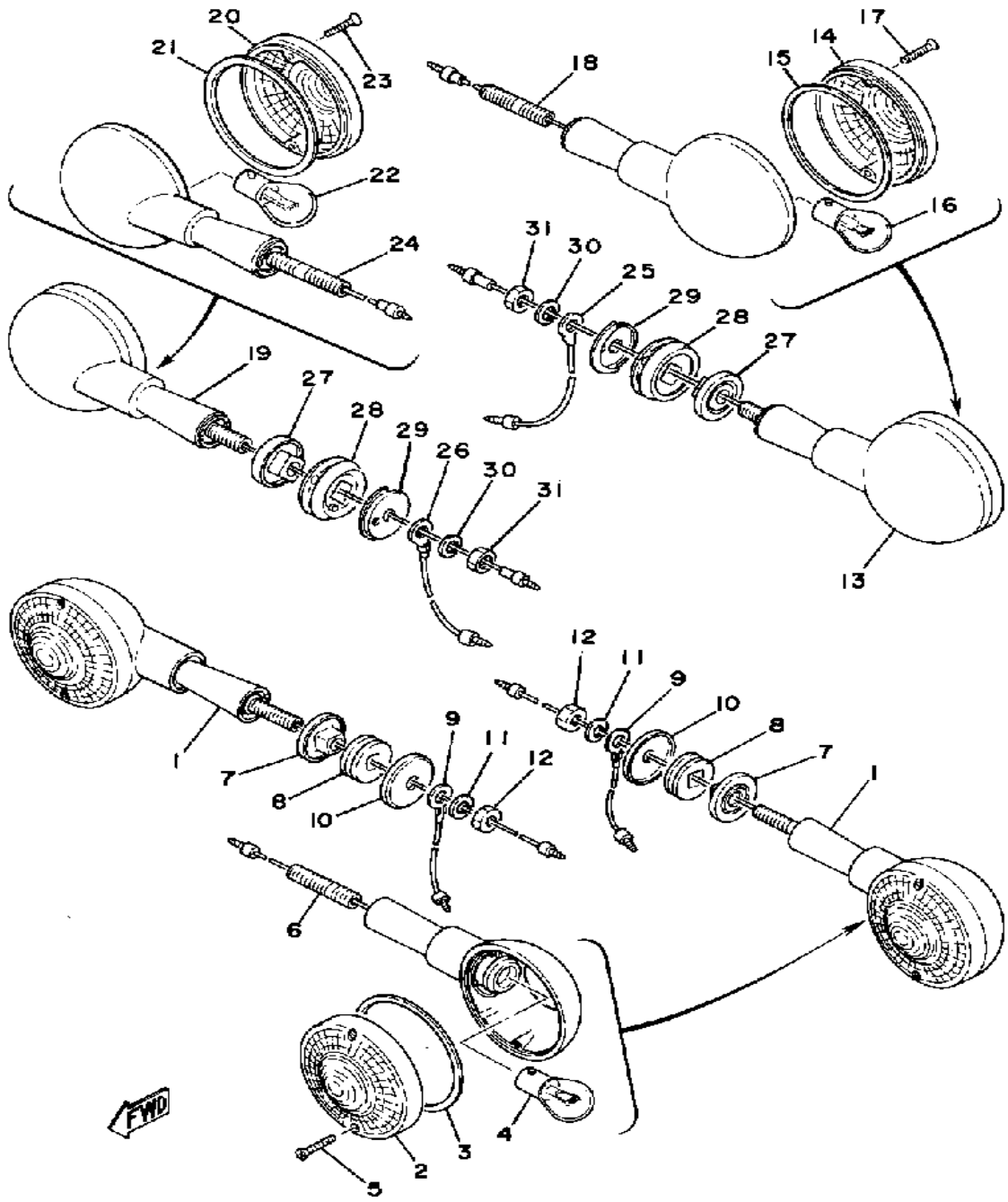
Ref. No.	Part Number	Description	Qty	Remarks
1	(3H1-83570-A1-00)	SPEEDOMETER ASSEMBLY ..	1	
2	123-83516-21-00	. BULB (12V-3.4W)	2	
3	(3H1-83536-00-00)	SOCKET, METER	1	
4	(2J2-83556-00-00)	SENDER	1	
5	584-83578-71-00	. KNOB, TRIP METER	1	
6	(3H1-83540-00-00)	TACHOMETER ASSEMBLY ...	1	
7	123-83516-21-00	. BULB (12V-3.4W)	4	
8	(3H1-83520-00-00)	SOCKET CORD ASSEMBLY ..	1	
9	2J2-83519-00-00	BRACKET, METER	1	
10	3H3-83513-01-00	UNAVAILABLE IN PRICE BOOK	2	
11	2J2-83507-00-00	COVER, SPEEDOMETER	1	
12	2J2-83508-00-00	COVER, TACHOMETER	1	
13	584-83523-00-00	DAMPER	4	
14	90201-05031-00	WASHER, PLATE	4	
15	95303-05800-00	NUT (CROWN)	4	
16	584-83546-00-00	BOLT	4	
17	92990-06200-00	WASHER	4	
18	92995-06100-00	WASHER, SPRING	4	
19	95303-06800-00	NUT (CROWN)	4	
20	34X-83550-01-00	SPEEDOMETER CABLE ASSEMBLY	1	
21	2J2-83560-00-00	TACHOMETER CABLE	1	
22	102-25137-00-00	RING, STOP	1	
23	93210-14104-00	O-RING	1	
24	90387-06676-00	COLLAR	2	
25	1JK-83541-00-00	DAMPER	4	
26	92995-06100-00	WASHER, SPRING	2	
27	95380-06600-00	NUT	2	

TAILLIGHT



Ref. No.	Part Number	Description	Qty	Remarks
1	2J2-84751-00-93	BRACKET, LICENSE	1	CHROME PLATED
2	1W9-84710-60-00	TAILLIGHT UNIT ASSEMBLY ..	1	
3	2J2-84711-60-00	. BASE, TAILLIGHT	1	
4	256-84714-61-00	. BULB (12V-27/8W)	1	
5	1M1-84523-60-00	. GASKET, LENS	1	
6	1M1-84521-60-00	. LENS, TAILLIGHT	1	
7	1M1-84524-60-00	. SCREW, LENS FITTING	2	
8	1M1-84512-60-00	SEAT, BASE	1	
9	1M1-84526-60-00	SCREW	2	
10	2H7-84754-00-00	WASHER, SPECIAL	2	
11	1M1-84527-60-00	DAMPER	2	
12	449-85131-02-00	REFLECTOR, REAR 1	2	
13	92990-05100-00	WASHER, SPRING	2	
14	95380-05600-00	NUT	2	
15	90480-12013-00	GROMMET	1	
16	2J2-84753-00-00	DAMPER	1	
17	97021-06030-00	BOLT	2	
18	90387-07390-00	COLLAR	2	
19	90201-06067-00	WASHER, PLATE	4	
20	97011-06025-00	BOLT (97001-06025)	2	
21	90387-074W0-00	COLLAR	2	
22	95380-06600-00	NUT	4	
23	92995-06100-00	WASHER, SPRING	4	
24	3Y1-84517-00-00	CORD, TAILLIGHT	1	

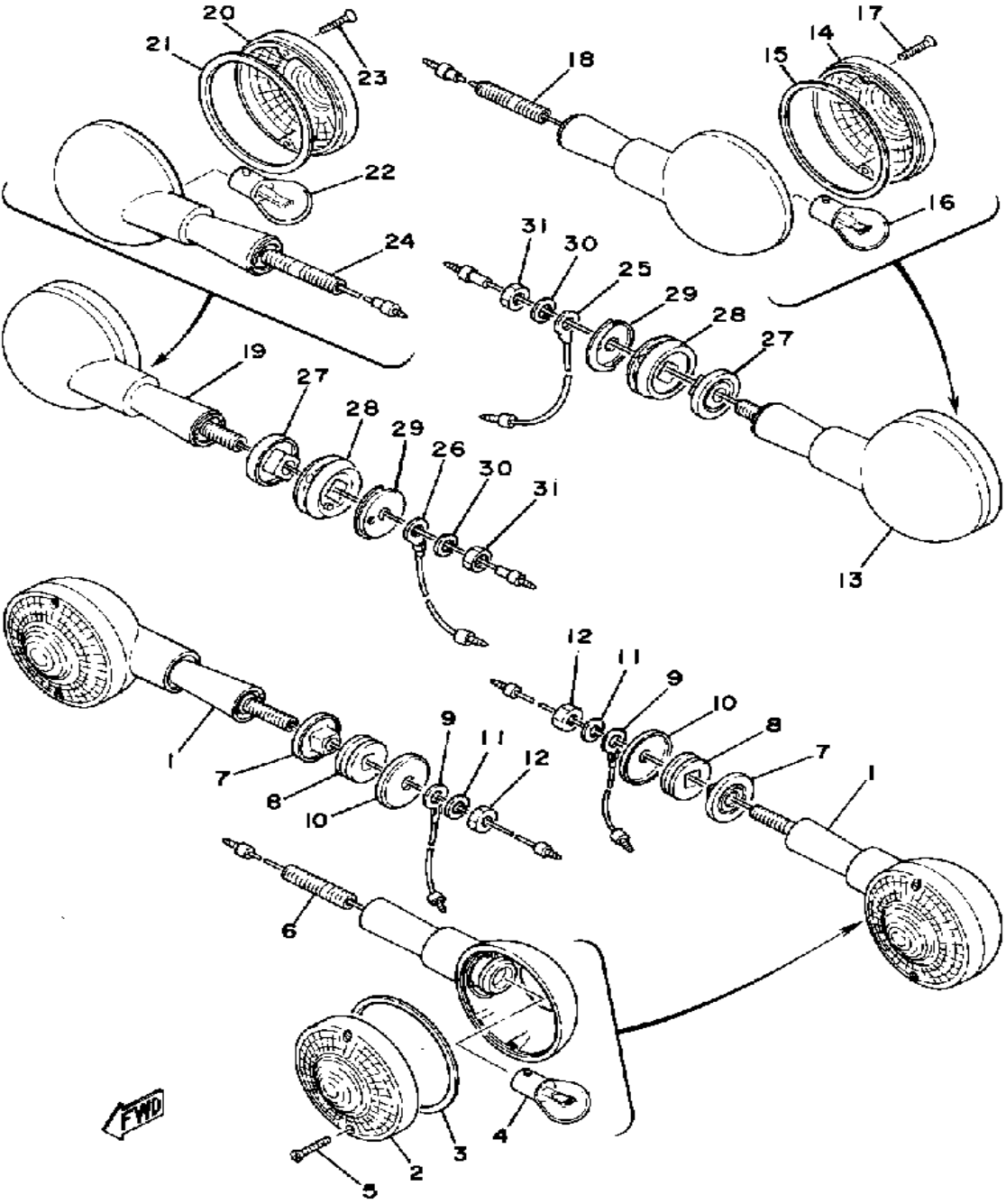
FLASHER LIGHT



Ref. No.	Part Number	Description	Qty	Remarks
1	341-83310-72-93	FRT FLSHR LITE ASSEMBLY	2	CHROME PLATED
2	341-83312-70-00	. LENS, FLASHER	1	
3	3Y6-83313-00-00	. GASKET, FLSHR LENS	1	
4	256-83311-70-XX	. BULB, TS 12V27W	1	
5	341-83333-70-00	. SCREW, LENS FITTING	2	
6	341-83367-09-00	. BOLT, STUD	1	
7	341-83316-01-00	COLLAR, FLASHER 1	2	
8	341-83321-01-00	DAMPER, FLASHER 1	2	
9	256-84313-01-00	WIRE, EARTH	2	
10	90209-08098-00	WASHER, SPEC'L SHAP	2	
11	92990-08100-00	WASHER	2	
12	95333-08600-00	NUT	2	
13	1E5-83330-20-93	R FLSHR LITE ASSEMBLY	1	CHROME PLATED
14	341-83312-70-00	. LENS, FLASHER	1	
15	3Y6-83313-00-00	. GASKET, FLSHR LENS	1	
16	256-83311-70-XX	. BULB, TS 12V27W	1	
17	341-83333-70-00	. SCREW, LENS FITTING	2	
18	360-83367-09-00	. BOLT, STUD	1	
19	341-83330-21-93	R FLSHR LITE ASSEMBLY	1	CHROME PLATED
20	341-83312-70-00	. LENS, FLASHER	1	
21	3Y6-83313-00-00	. GASKET, FLSHR LENS	1	
22	256-83311-70-XX	. BULB, TS 12V27W	1	
23	341-83333-70-00	. SCREW, LENS FITTING	2	
24	360-83367-09-00	. BOLT, STUD	1	
25	3FU-83364-00-00	WIRE, EARTH LEAD 1	1	
26	3FU-83364-00-00	WIRE, EARTH LEAD 1	1	
27	341-83316-01-00	COLLAR, FLASHER 1	2	
28	1E6-83321-00-00	DAMPER, FLASHER 1	2	
29	1E6-83348-00-00	WASHER	2	

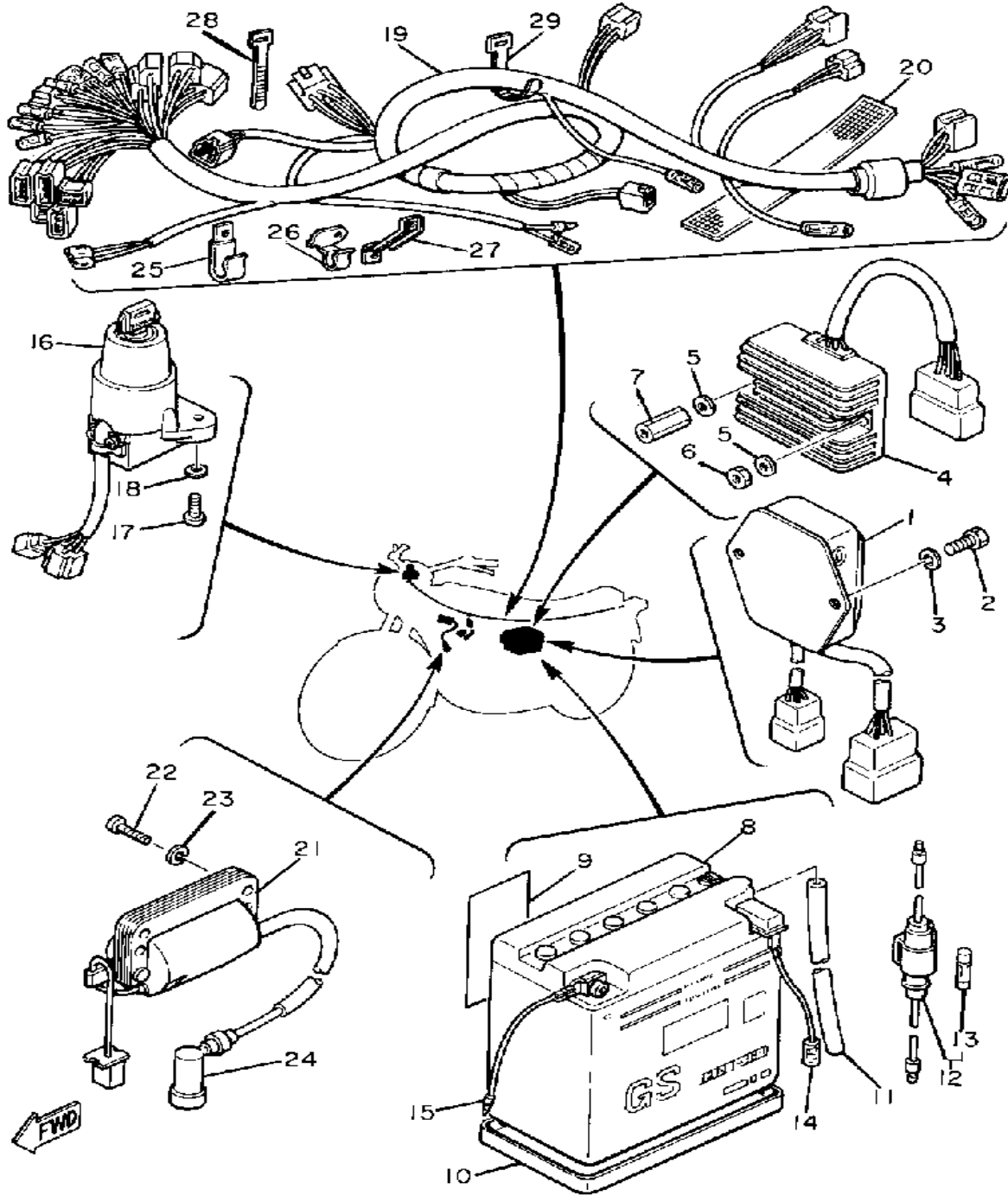
CONTINUED ON NEXT FRAME ➤

FLASHER LIGHT



Ref. No.	Part Number	Description	Qty	Remarks
30	92990-08100-00	WASHER	2	
31	95333-08600-00	NUT	2	

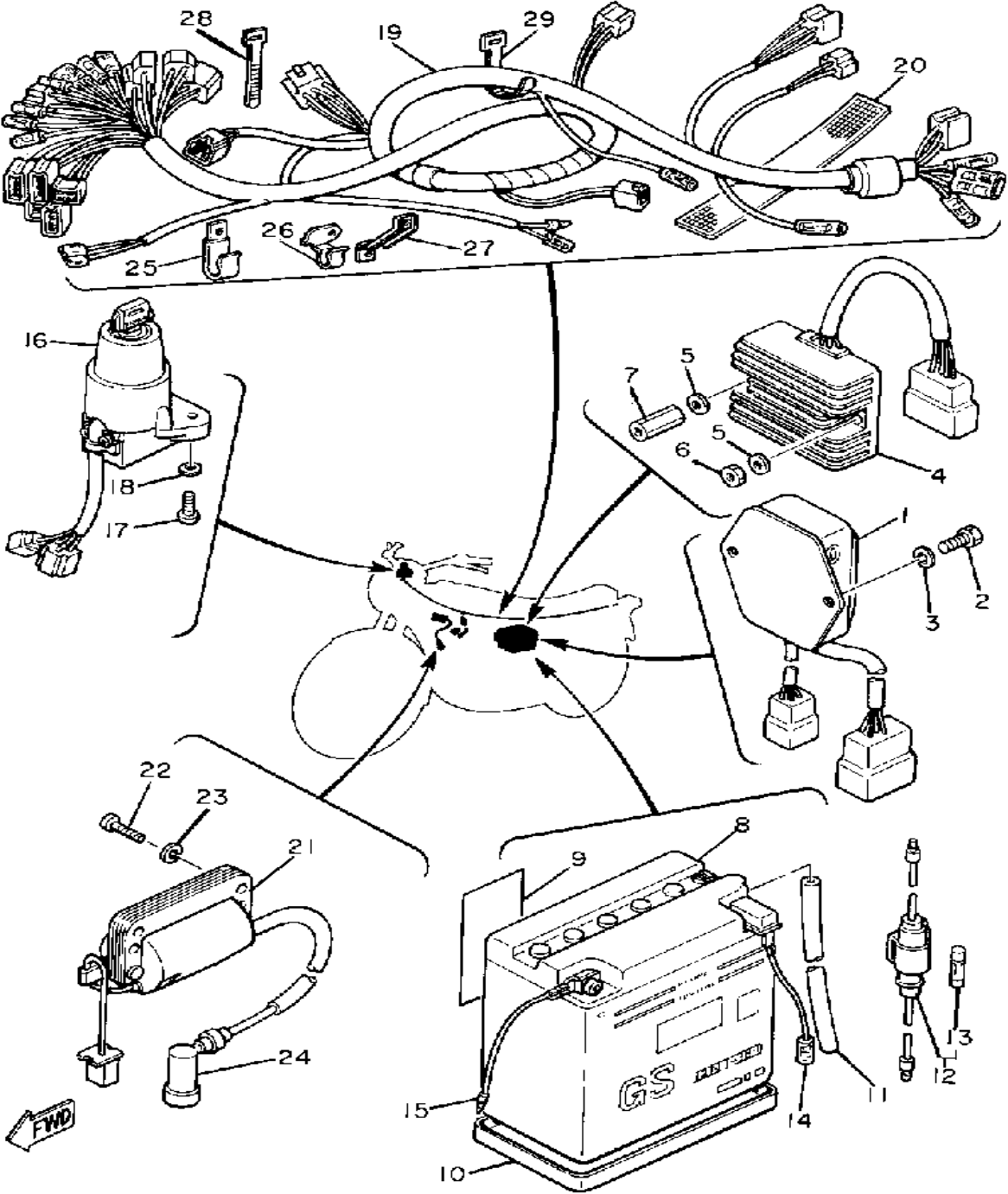
ELECTRICAL 1



Ref. No.	Part Number	Description	Qty	Remarks
1	3H1-85540-50-00	CDI UNIT ASSEMBLY	1	
2	97011-06010-00	BOLT	2	
3	92995-06100-00	WASHER, SPRING	2	
4	2J2-81960-A0-00	RECTIFIER/REG ASSEMBLY	1	
5	92901-06600-00	WASHER	2	
6	95380-06600-00	NUT	1	
7	90170-06249-00	NUT	1	
8	165-82110-90-00	UNAVAILABLE IN PRICE BOOK	1	
9	118-82141-09-00	LABEL, BATTERY	1	
10	123-82122-00-00	SEAT, BATTERY	1	
11	90445-08383-00	HOSE	1	
12	2J2-82150-10-00	FUSE HOLDER ASSEMBLY	1	
13	682-82151-00-00	. FUSE (20A)	2	
14	1M1-82115-00-00	WIRE, PLUS LEAD	1	
15	2J2-82116-00-00	WIRE, MINUS LEAD	1	
16	3GW-82501-00-00	MAIN SWITCH ASSEMBLY	1	
17	97313-06016-00	BOLT, HEXAGON	2	
18	92901-06600-00	WASHER	2	
19	2J2-82590-61-00	WIRE HARNESS ASSEMBLY	1	
20	(2J2-82589-01-00)	PROTC, WIRE HARNESS	1	
21	2J2-82310-51-00	IGNITION COIL ASSEMBLY	1	
22	98511-06025-00	SCREW PAN HEAD (92501-06025)	2	
23	92995-06100-00	WASHER, SPRING	2	
24	1J7-82370-00-00	PLUG CAP ASSEMBLY	1	
	1J7-82370-00-00	PLUG CAP ASSEMBLY	1	ALTERNATE PARTS
25	(90465-10018-00)	CLAMP	1	
26	90465-10090-00	CLAMP	1	

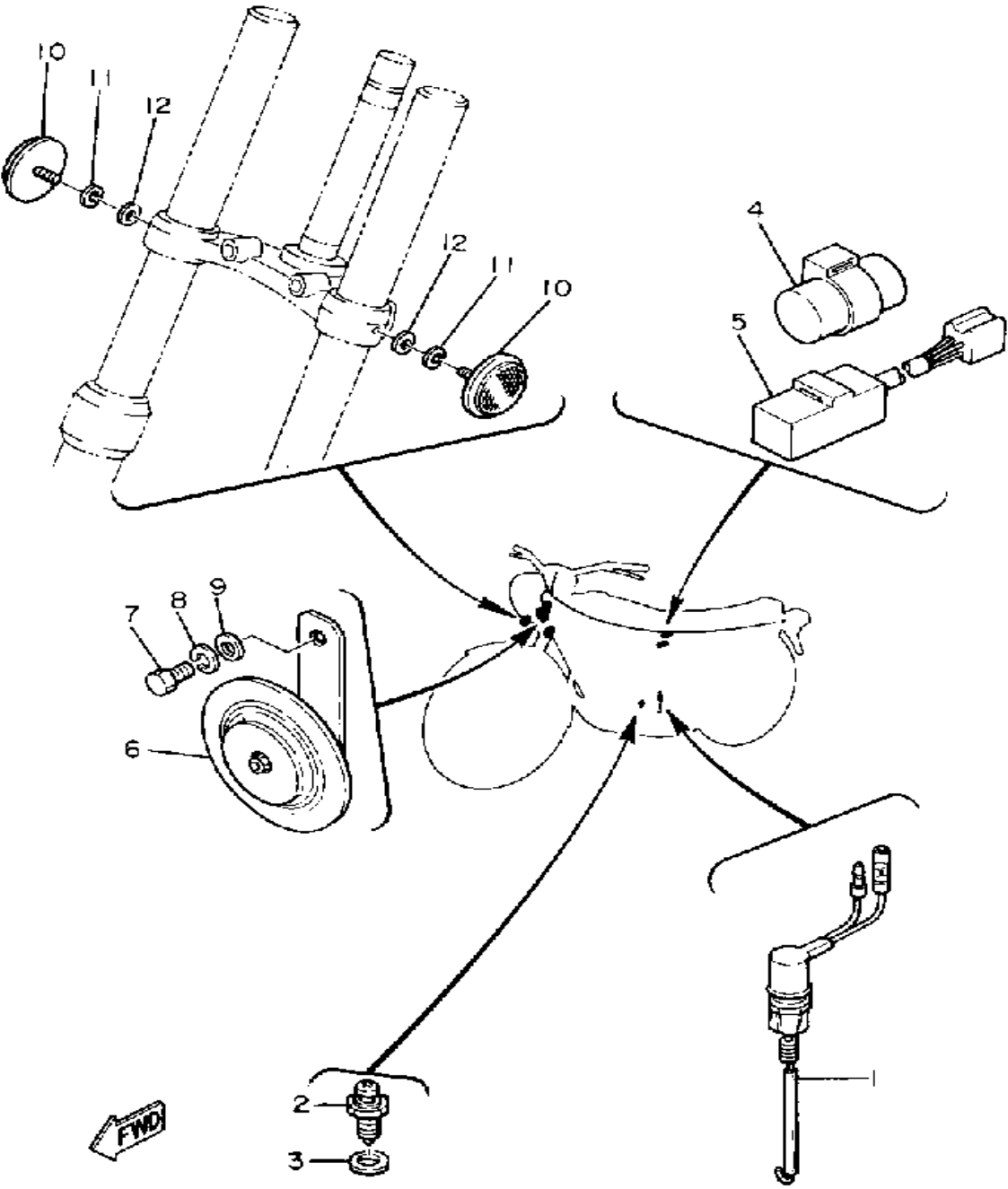
CONTINUED ON NEXT FRAME ►

ELECTRICAL 1



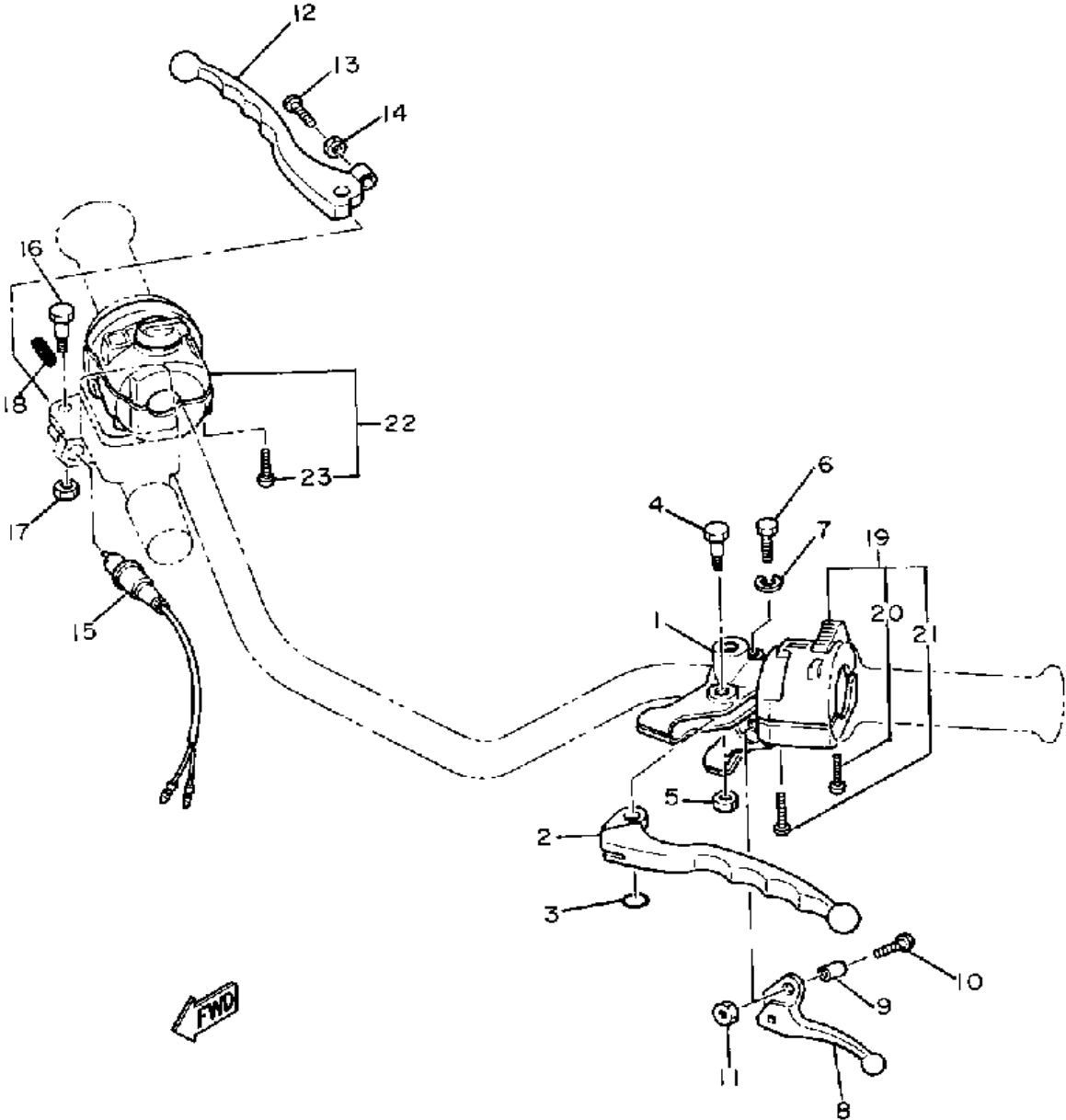
Ref. No.	Part Number	Description	Qty	Remarks
27	(90465-08144-00)	CLAMP	1	
28	437-83936-11-00	BAND, SWITCH CORD	3	
29	437-83936-11-00	BAND, SWITCH CORD	1	

ELECTRICAL 2



Ref. No.	Part Number	Description	Qty	Remarks
1	2J2-82530-02-00	STOP SWITCH ASSEMBLY ...	1	
2	2H7-82540-00-00	NEUTRAL SWITCH ASSEMBLY	1	
3	90430-10171-00	GASKET	1	
4	2F0-83350-70-00	FLASHER RELAY ASSEMBLY .	1	
5	1A0-83395-03-00	FLASHER CANCL UNIT	1	
6	4V8-83371-20-00	HORN	1	
7	97011-08016-00	BOLT	1	
8	92990-08100-00	WASHER	1	
9	92901-08600-00	WASHER	1	
10	355-85111-01-00	REFLECTOR, FRONT 1	2	
11	92990-05100-00	WASHER, SPRING	2	
12	92990-05200-00	WASHER, PLAIN	2	

HANDLE SWITCH - LEVER



Ref. No.	Part Number	Description	Qty	Remarks
1	583-82911-02-00	HOLDER, LEVER 1	1	
2	2H0-83912-30-00	LEVER L	1	
3	93210-11368-00	O-RING	1	
4	2H7-83945-00-00	BOLT, LEVER	1	
5	95601-06100-00	NUT, U	1	
6	97003-06022-00	BOLT, HEXAGON (97301-06022)	1	
7	92995-06100-00	WASHER, SPRING	1	
8	583-83981-00-00	LEVER, DECOMPRESSION	1	
9	583-83913-00-00	COLLAR, decompression lever	1	
10	98501-05018-00	SCREW, PAN HEAD	1	
11	95601-05100-00	NUT, U	1	
12	4L0-83922-00-00	LEVER RH	1	
13	90149-06131-00	SCREW	1	
14	90170-06010-00	NUT	1	
15	1A0-83980-30-00	STOP SWITCH ASSEMBLY	1	
16	90109-06465-00	BOLT	1	
17	95601-06100-00	NUT, U	1	
18	90501-10312-00	SPRING, COMPRESSION	1	
19	2J3-83973-60-98	SWITCH, HANDLE 3	1	LOW GLOSS BLK
20	98501-05035-00	. SCREW, PAN HEAD	1	
21	98501-05035-00	. SCREW, PAN HEAD	1	
22	2J2-83976-00-98	SWITCH, HANDLE 1	1	LOW GLOSS BLK
23	98501-05030-00	. SCREW, PAN HEAD	2	

SR500G 1980 SERVICE DATA

MODEL — IBM I.D. NUMBER	SR500G	3H1
Initial Engine Number/Frame Number	3H1-000101 / 3H1-000101	
Basic Color(s)	New Ruby Red	
Fuel Type/Fuel Tank Capacity/Reserve Capacity	Regular / 12.0 Lit. (3.1 Gal.) / 2.1 Lit. (0.5 Gal.)	
Dry Vehicle Weight	160 kg (353 lbs.)	
ENGINE TYPE	4-Stroke, Air-Cooled, SOHC	
Bore/Stroke/Number Cylinders/Displacement (cc)	87mm / 84mm / 1 / 499cc	
Compression Ratio/Compression Pressure min ~ max	9.0:1 / 9.5 ~ 10.5 kg/cm ²	
Piston Skirt Clearance new/max.	0.050 ~ 0.055mm / 0.1mm	
Ring End Gap top/2nd/3rd	0.3 ~ 0.5mm / 0.3 ~ 0.5mm / 0.2 ~ 0.9mm	
Valve Clearance (cold) Intake/Exhaust	0.10mm / 0.15mm	
Oil Pressure hot/rpm	ϕ	
Oiling System	Dry Sump	
Capacity: Dry	2400cc	
Oil and Filter Change	2100cc	
Oil Change	2000cc	
Lubricant: Temp above 5°C (40°F)	Yamalube 4* or SAE 20W40 SE	
Below 15°C (60°F)	Yamalube 4* or SAE 20W40 SE	
AUTOLUBE — Min. Stroke/Color Code	ϕ	
Minimum Output @ 200 cycles	ϕ	
Maximum Output @ 200 cycles	ϕ	
CARBURETOR — Mfr./Type/I.D. Number	Mikuni / VM32 / 3H1-00	
Main Jet/Pilot Jet	260 / 20	
Needle Jet/Jet Needle-Clip Position	P-8 / 5FL31 - Fixed	
Slide Cutaway or Throttle Valve	3.5	
Float Level	23.5 ± 0.5mm	
Idle RPM	1100 rpm	
CO % @ Idle (Diagnostic Use Only)	N/A	
SUSPENSION		
Front Forks: Oil Type/Level/Qty.	10 wt. Fork Oil* / ϕ / 182cc	
Gas Pressure	ϕ	
Spring Length Std.	445mm	
Monoshock: Oil Type/Qty.	ϕ	
Gas Pressure	ϕ	
Minimum Brake Lining Thickness	Front: 6mm Rear: 2mm	
Tire Size (Nominal Pressure)	F: 3.50S19 (1.8 kg/cm ² / 26 psi) R: 4.00S18 (2.0 kg/cm ² / 28 psi)	
TRANSMISSION — Oil Type/Qty Chg/Qty Reassemble	See ENGINE above	
Primary Drive Type/Teeth/Ratio	Spur Gear / 77-30 / 2.566	
Secondary Drive Type/Teeth/Chain	Chain / 44-16 / DID50HDSS-104L	
Clutch Friction Plate Thickness Std ~ min.	2.8 ~ 2.5mm	
Clutch Spring Length Std ~ min.	41.2 ~ 40.0mm	
Middle Gear Case Capacity	ϕ	
Final Gear Case Capacity	ϕ	
Gear Case Lubricant: Temp above 5°C (40°F)	ϕ	
Temp below 15°C (60°F)	ϕ	
All Weather Conditions	ϕ	

Service Copy: _____ Service Mgr. _____ Mechanic _____ Mechanic _____ Mechanic _____ Binder _____

Office Copy: _____ General Mgr. _____ Sales _____ Parts _____ Binder _____

©1979 YAMAHA MOTOR CORPORATION, U.S.A. CYPRESS, CALIF.

November 15, 1979 PAGE 1 OF 2

CHARGING SYSTEM	A.C. Generator / Three Phase / Full Wave
Battery: Model / Spec. Grav. / Chg. Rate	G S 12N7-3B (12V7AH) / 1.26 / 0.7A
Maximum Output	14.5V11A @ 5000 rpm
TROUBLESHOOTING	
Field Coil Color Code / Ω	ϕ
Charge Coil Color Code / Ω	Wht ~ Yel / 0.73 Ω ± 30% Wht ~ Wht / 0.8 Ω ± 30%
IGNITION SYSTEM	Capacitor Discharge Ignition
Ignition Timing	7° Mark
	Std: 12° @ 1100 rpm Adv: 33.5° @ 6000 rpm
Spark Plug Type	NGK BP6ES Nippon Denso W20EP
Spark Plug Gap / Torque / Cap Ω	0.7 ~ 0.8mm / 2.0 m·kg / 5.5K Ω
Point Gap / Condenser Capacitance	ϕ / ϕ
TROUBLESHOOTING	
Ignition Coil Test Gap / Primary Ω / Secondary Ω	6mm / 0.98 Ω ± 20% / 12K Ω ± 20%
Pulse Coil or Pick-up Coil Color Code / Ω	Low: Wht-Grn ~ Blk / 87 Ω ± 30% High: Wht-Red ~ Blk / 16 Ω ± 30%
Source Coil Color Code / Ω	Low: Brn ~ Blk / 329 Ω ± 30% High: Red ~ Blk / 334 Ω ± 30%
LIGHTING SYSTEM	
Headlight / Taillight / Signal Rating	12V50-40W / 12V27-8W / 12V27W
TROUBLESHOOTING	
Lighting Coil Color Code / Ω	ϕ
TORQUE VALUES	
Front Axle Nut	14 x 1.5: 10.7 m·kg
Front Axle Holder Nut	8 x 1.25: 1.0 m·kg
Rear Axle Nut	16 x 1.5: 15.0 m·kg
Rear Axle Pinch Bolt	ϕ
Clutch Nut	18 x 1.0: 6.0 m·kg
Drain Plug	14 x 1.5: 3.0 m·kg
Cylinder Head Cover	6 x 1.0: 1.2 m·kg
Cylinder Head:	Stud: 10 x 1.25: 2.0 m·kg Nut: 10 x 1.25: 3.8 m·kg
	6 x 1.0: 1.2 m·kg
Engine Mounting Bolts: Front, Upper	10 x 1.25: 4.8 m·kg
	Front, Lower
	10 x 1.25: 4.8 m·kg
	Rear, Upper
	10 x 1.25: 4.8 m·kg
	Rear, Lower
	10 x 1.25: 4.8 m·kg
	Upper
	8 x 1.25: 2.5 m·kg

ϕ Does Not Apply to This Model

* Available From Yamaha Parts Distributors, Inc.

PAGE 2 OF 2

CHARGING SYSTEM	A.C. Generator / Three Phase / Full Wave
Battery: Model / Spec. Grav. / Chg. Rate	G S 12N7-3B (12V7AH) / 1.26 / 0.7A
Maximum Output	14.5V11A @ 5000 rpm
TROUBLESHOOTING	
Field Coil Color Code / Ω	ϕ
Charge Coil Color Code / Ω	Wht ~ Yel / 0.73 Ω \pm 30% Wht ~ Wht / 0.8 Ω \pm 30%
IGNITION SYSTEM	Capacitor Discharge Ignition
Ignition Timing	7° Mark
	Std: 12° @ 1100 rpm Adv: 33.5° @ 6000 rpm
Spark Plug Type	NGK BP6ES Nippon Denso W20EP
Spark Plug Gap / Torque / Cap Ω	0.7 ~ 0.8mm / 2.0 m·kg / 5.5K Ω
Point Gap / Condenser Capacitance	ϕ / ϕ
TROUBLESHOOTING	
Ignition Coil Test Gap / Primary Ω / Secondary Ω	6mm / 0.98 Ω \pm 20% / 12K Ω \pm 20%
Pulse Coil or Pick-up Coil Color Code / Ω	Low: Wht-Grn ~ Blk / 87 Ω \pm 30% High: Wht-Red ~ Blk / 16 Ω \pm 30%
Source Coil Color Code / Ω	Low: Brn ~ Blk / 329 Ω \pm 30% High: Red ~ Blk / 334 Ω \pm 30%
LIGHTING SYSTEM	
Headlight / Taillight / Signal Rating	12V50-40W / 12V27-8W / 12V27W
TROUBLESHOOTING	
Lighting Coil Color Code / Ω	ϕ
TORQUE VALUES	
Front Axle Nut	14 x 1.5: 10.7 m·kg
Front Axle Holder Nut	8 x 1.25: 1.0 m·kg
Rear Axle Nut	16 x 1.5: 15.0 m·kg
Rear Axle Pinch Bolt	ϕ
Clutch Nut	18 x 1.0: 6.0 m·kg
Drain Plug	14 x 1.5: 3.0 m·kg
Cylinder Head Cover	6 x 1.0: 1.2 m·kg
Cylinder Head:	Stud: 10 x 1.25: 2.0 m·kg Nut: 10 x 1.25: 3.8 m·kg
	6 x 1.0: 1.2 m·kg
Engine Mounting Bolts: Front, Upper	10 x 1.25: 4.8 m·kg
Front, Lower	10 x 1.25: 4.8 m·kg
Rear, Upper	10 x 1.25: 4.8 m·kg
Rear, Lower	10 x 1.25: 4.8 m·kg
Upper	8 x 1.25: 2.5 m·kg

ϕ Does Not Apply to This Model

* Available From Yamaha Parts Distributors, Inc.